



SilverMax™ 34 Frame X-Series

The SilverMax™ is a fully integrated Hybrid Servo Motor with feedback, a Controller/Indexer, and a Digital Driver in a compact package. All communications and IO are accessed through a single 19 pin M16 connector. Power and external Clamp resistor are available through a 6 pin M23 connector. The interface includes 7 I/O, all of which support both LVTTTL and analog signals, and one of which also supports 0 to 10v analog input. 24v NPN/PNP inputs are accomplished by configuring the internal pull up/down resistor, which is configurable on each input. See [TD091](#) for details. A processor back-up power input and a hardware drive enable are also included. Communication via CANopen and RS-485 serial, which may be operated simultaneously. The driver is rated to 20A continuous per phase. The system is designed for use at +12.5 to +72 VDC for driver power and 12-48v for processor power.

The X34 Silvermax series includes dual internal clamp circuits. An external primary clamp allows the clamp resistor to be connected externally to handle the required power level. A secondary internal clamp comes on at a slightly higher internal voltage to protect the driver if the primary clamp is not connected, and for those low inertia designs and or lower speeds, or which are not back-driven, the 50w internal clamp may eliminate the need for an external clamp resistor, according to the application. (Note: resistors are 50W average, allow up to 250W for up to 5 seconds)

Requires QuickControl v6.24 or greater to initialize and program SilverMax servo.

System Overview

Point-to-Point Moves

- Relative or Absolute
- Velocity or Time Based
- S-Curve

Advanced Motion Profile Moves

- Profile Move Commands
- Register Based
 - Position/Accel/Decel/Velocity
 - Modify On-the-Fly

Input/Output

- 7 LVTTL Digital I/O
 - Bi-Directional
 - Set While In Motion
 - 24V NPN/PNP Inputs [TD091](#)
- 7 Analog Inputs (Joystick)
- 1 Analog 0-10v Input
- 1 Output supports PWM out
- Programmable Logic Switch out
- Secondary Encoder In
- Encoder Out (single ended and differential)

Program and Data Storage

- 32K Non-Volatile Memory:
- 8191-word command buffer
- 2000-3000 Program Lines
- 4K User Registers
- User Data Examples
 - CAM Tables
 - Motion Profiles
 - Lookup Tables

Electronic Gearing/Camming

- Follow External Signals
 - Encoder (A/B Quadrature)
 - Step and Direction
- Gearing plus Trapezoid motion
- Electronic Cam
 - Import Cam Table from File
- Gearing with extended precision:
 - A/B gearing
 - xxx.xxxxxxxx multiplier (8 places behind decimal point)

Electronic Slip Clutch/Brake

- Variable Torque
- Wind/Unwind Applications

Communications

- RS-485 @ up to 230K Baud
- ASCII, Binary, Modbus®, DMX512
- Host Control While Servo in Motion
- CANopen® (Rev 03 SW and higher)

Programming Language

- Easy, Menu Driven Interface
- Command Parameter Prompts
- No Syntax Errors
- User Namable I/O and Registers

Advance PVIA™ Servo Loop

- Improvement Stability
- Simulated Viscous Inertial Damper
- 100:1 Inertial Mismatch
- Direct Drive Oversized Inertial Loads
 - Flywheels
 - Belt Drives
 - Typically eliminates need for Gearheads

Anti-Hunt™

- Optionally transition to open loop while in position – automatically changes back to full servo if position is disturbed.
- No Servo Dither While at Rest

Multi-Task/Multi-Thread

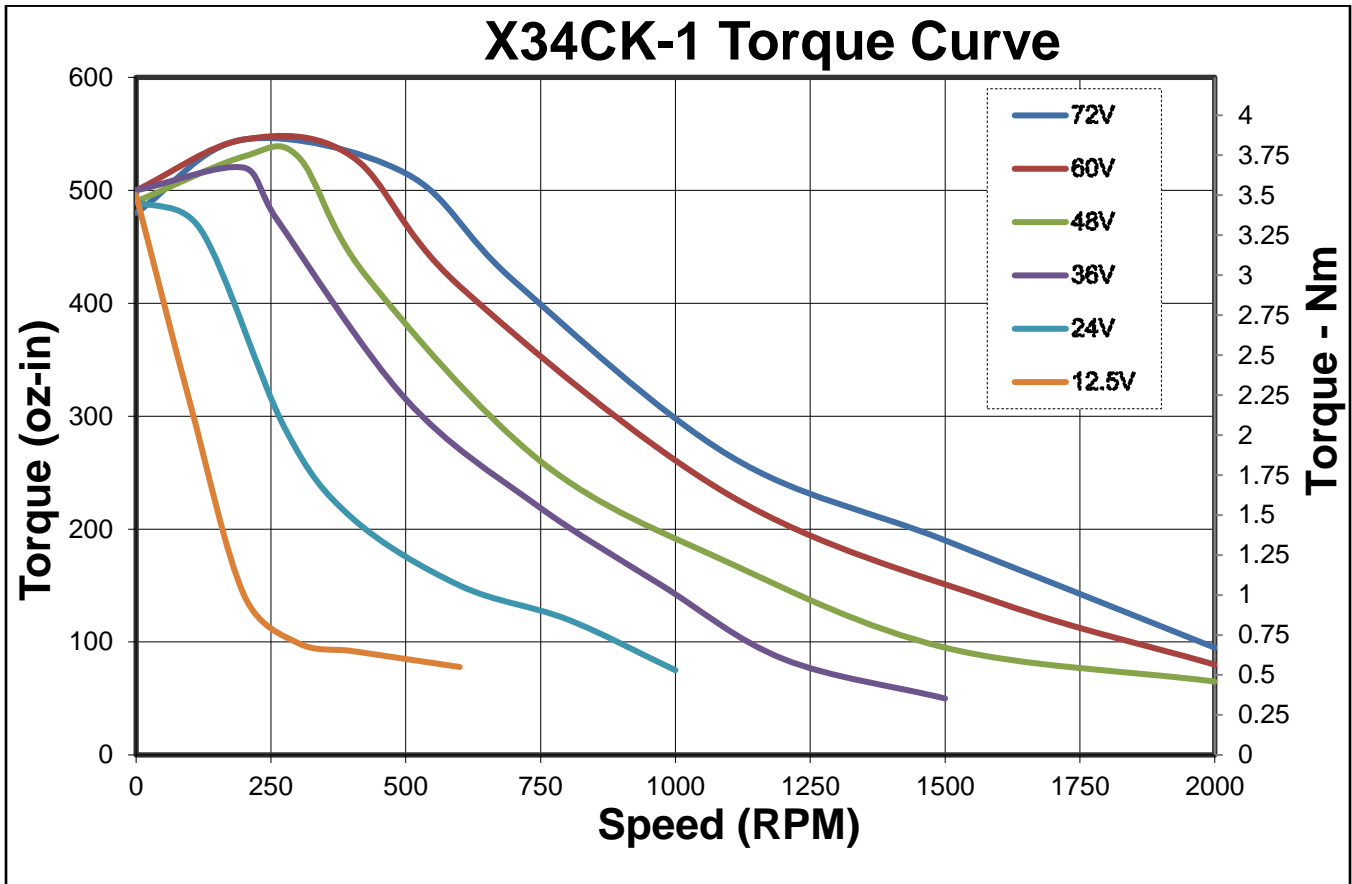
- Two programs plus a motion simultaneously
- Multiple background protection settings

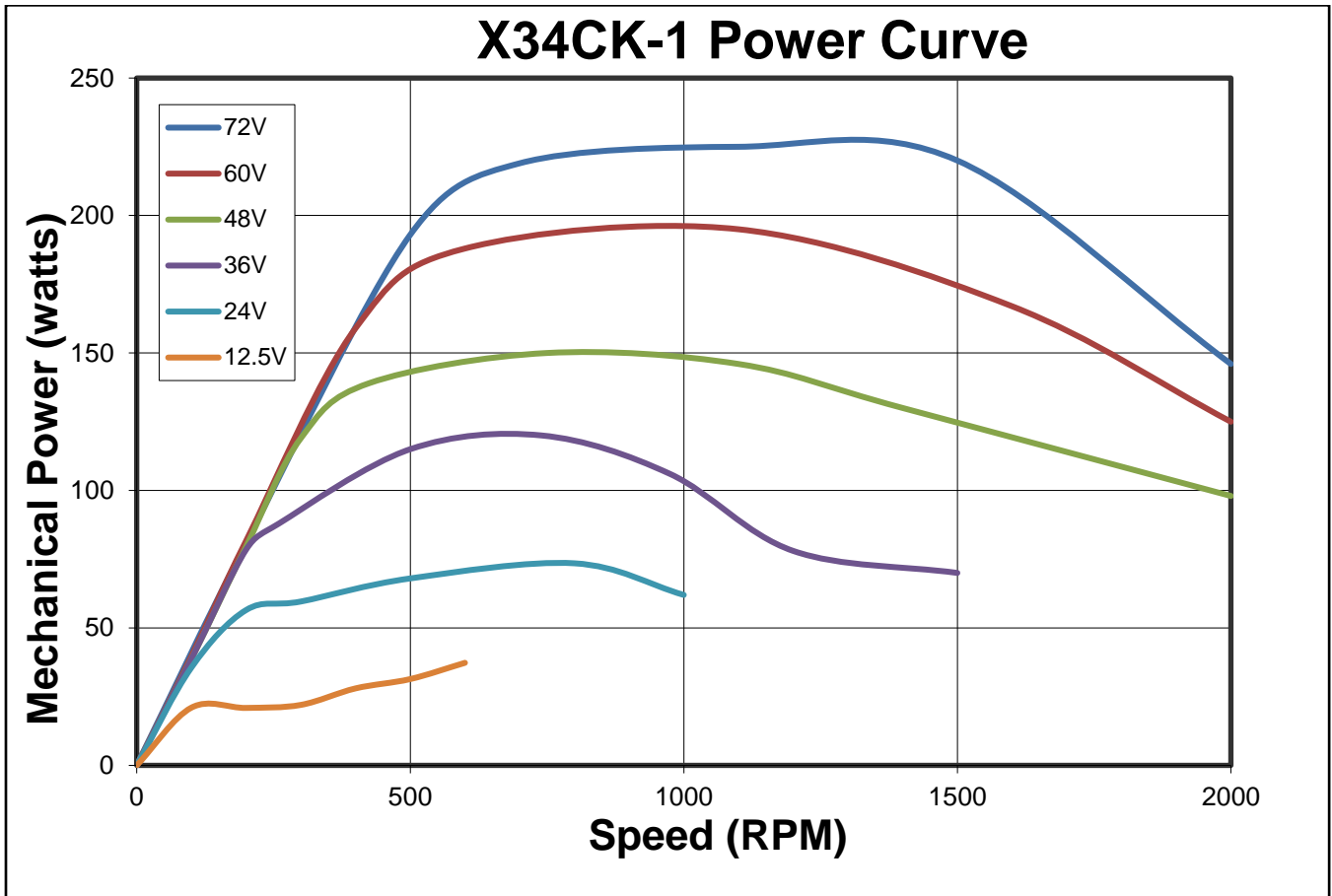
Based on QCI's Hybrid Servo Motors: NEMA 34 Frame

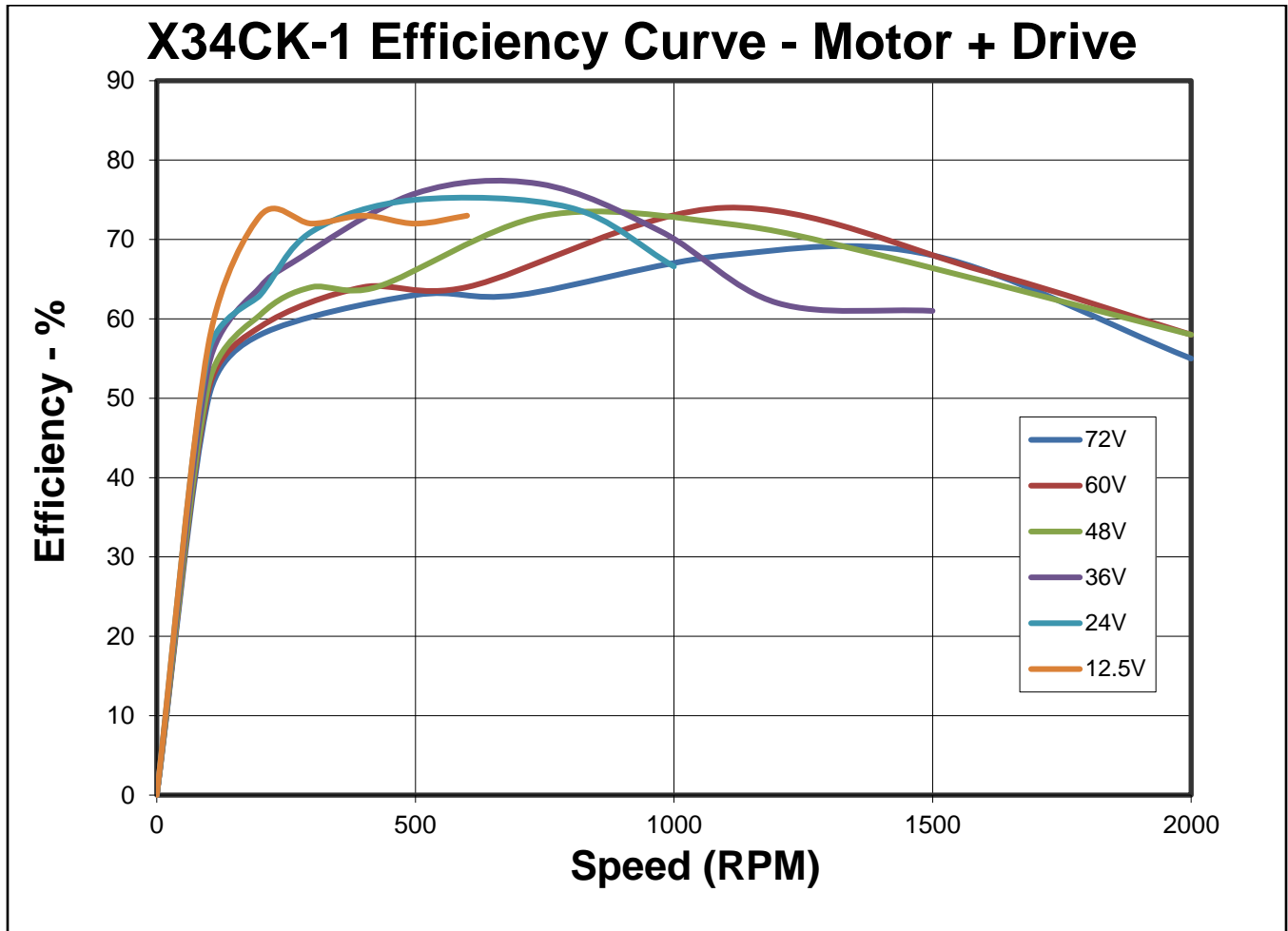
- 16000 Counts/Rev Encoder
- Up to 2600 oz-in (18.6 Nm) (continuous)

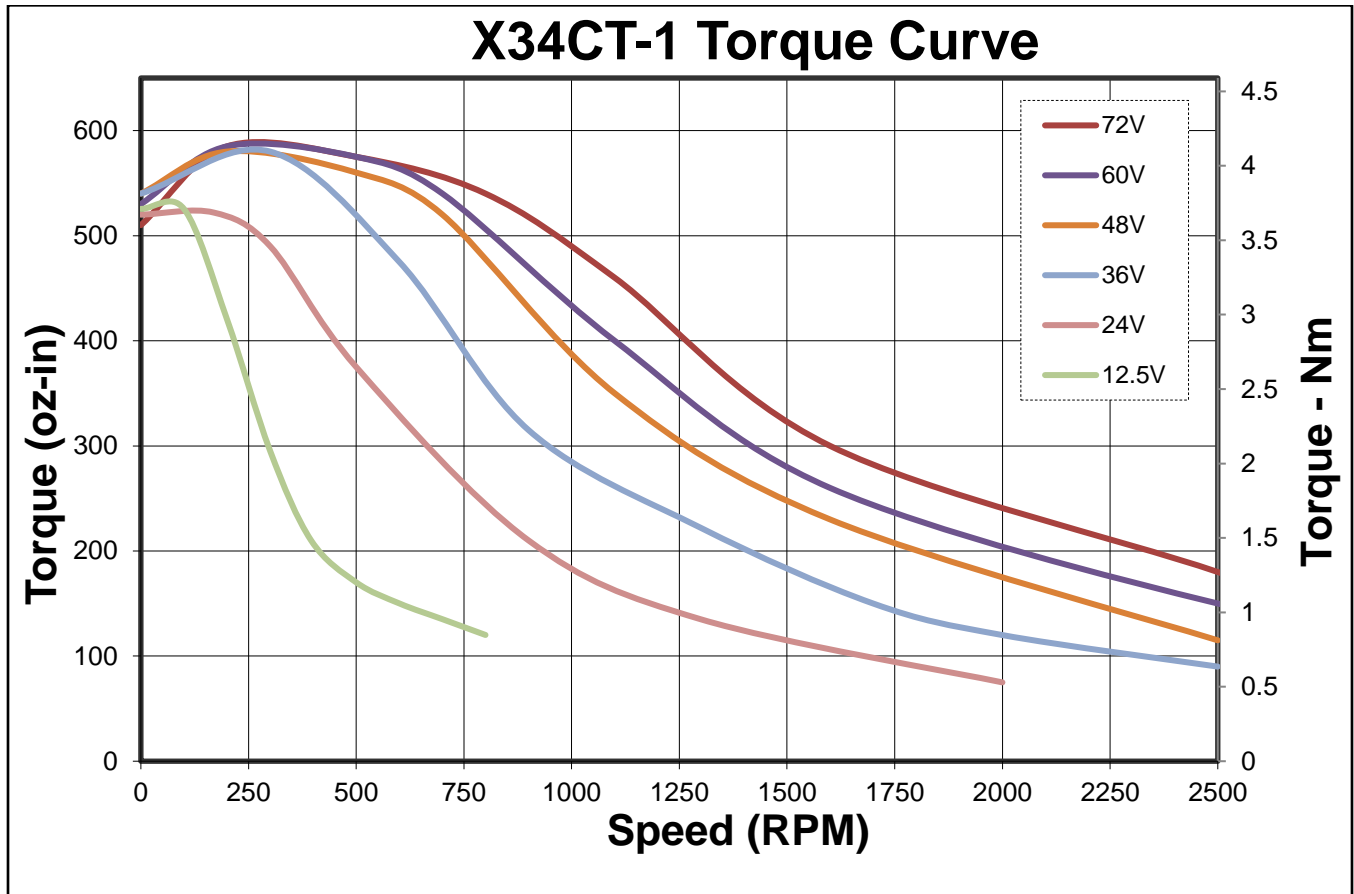
Specifications	X34CK-1	X34CK-2	X34CT-1	X34CT-2	X34HC-1	X34HC-2	X34HC-3	X34HC-4
Maximum Speed (RPM)	2000	1500	2500	2500	3000	2500	2000	1500
48v Optimal Speed (RPM)	700	450	1200	700	1300	900	900	1000
Torque (oz-in / Nm) at Optimal Speed	295 2.1	535 3.8	320 2.3	651 4.6	470 3.3	800 5.65	874 6.17	750 5.29
Continuous Stall Torque oz-in / Nm	490 3.4	1050 7.4	540 3.7	1048 7.4	690 4.8	1300 9.3	2000 14.1	2600 18.6
Peak Power (Mech. Watts) @ 48v **	150	175	285	340	420	596	585	555
Rotor Inertia oz-in ² / Kg-m ²	7.65 1.4e-4	14.8 2.7e-4	7.65 1.4e-4	14.8 2.7e-4	7.8 1.4e-4	14.7 2.7e-4	21.9 4.0e-4	29.0 5.3e-4
Weight pounds / Kg	6.1 2.8	9.25 4.2	6.1 2.8	9.25 4.2	5.9 2.7	9.4 4.3	13 5.9	16 7.25
Maximum Driver Input Current (Amps - DC)	5	6.5	10	10.5	14	16	16.5	14
Maximum Radial Force (lbs) / Newtons 0.79"/ 20mm from mounting face	49 220	49 220	49 220	49 220	65 290	65 290	65 290	65 290
Maximum Axial Force (lbs) / Newtons	13.5 60	13.5 60	13.5 60	13.5 60	305 1300	305 1300	305 1300	305 1300
Shaft Diameter in/mm	.500 12.7	.500 12.7	.500 12.7	.500 12.7	.500 12.70	.500 12.70	.625 15.88	.625 15.88
Notes: ** Max power approximately 1.5 times larger than 48v value when operated at 72v								

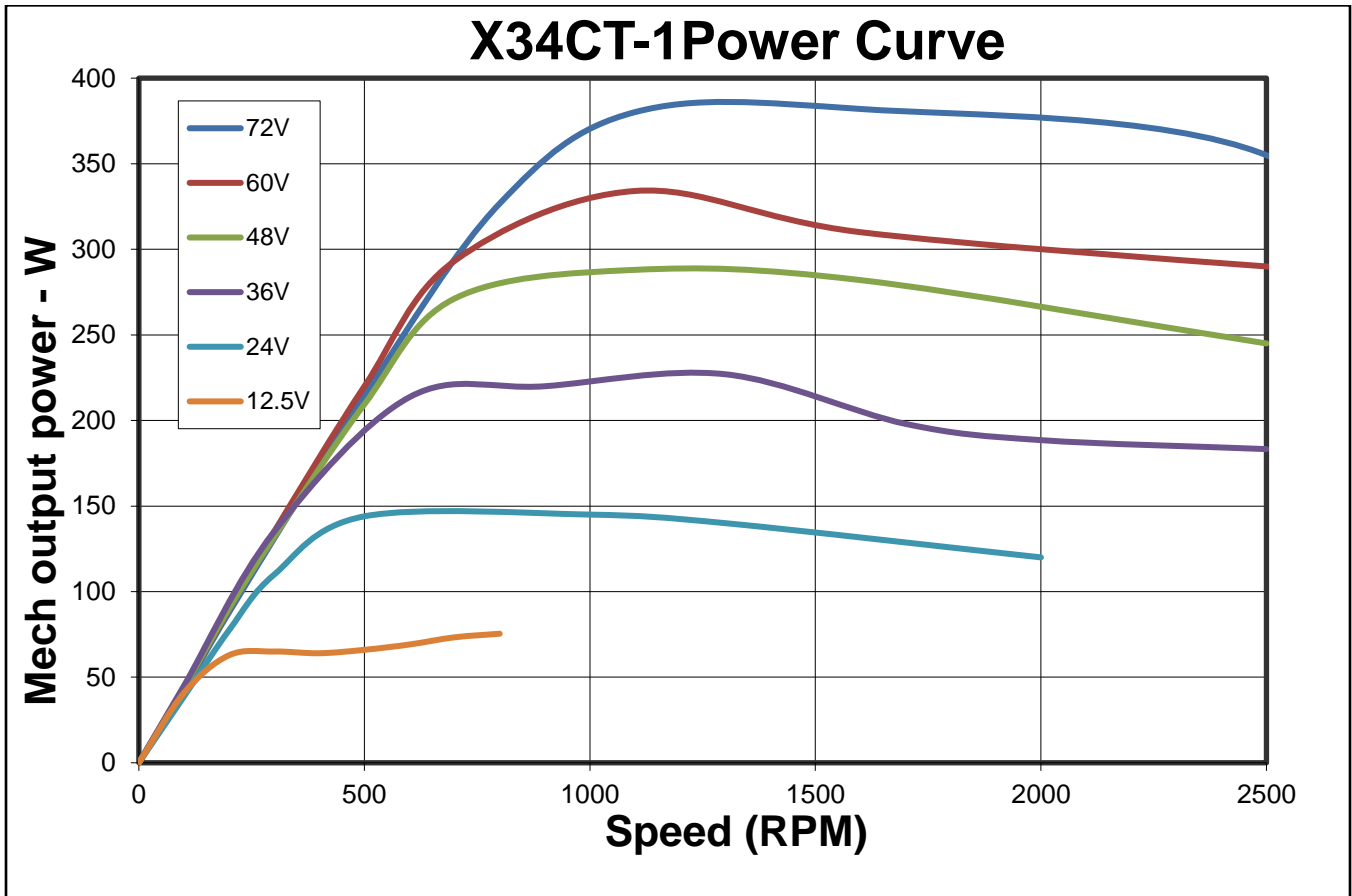
Note: All torque curves taken with 2' power cable; voltage measured entering power cable.

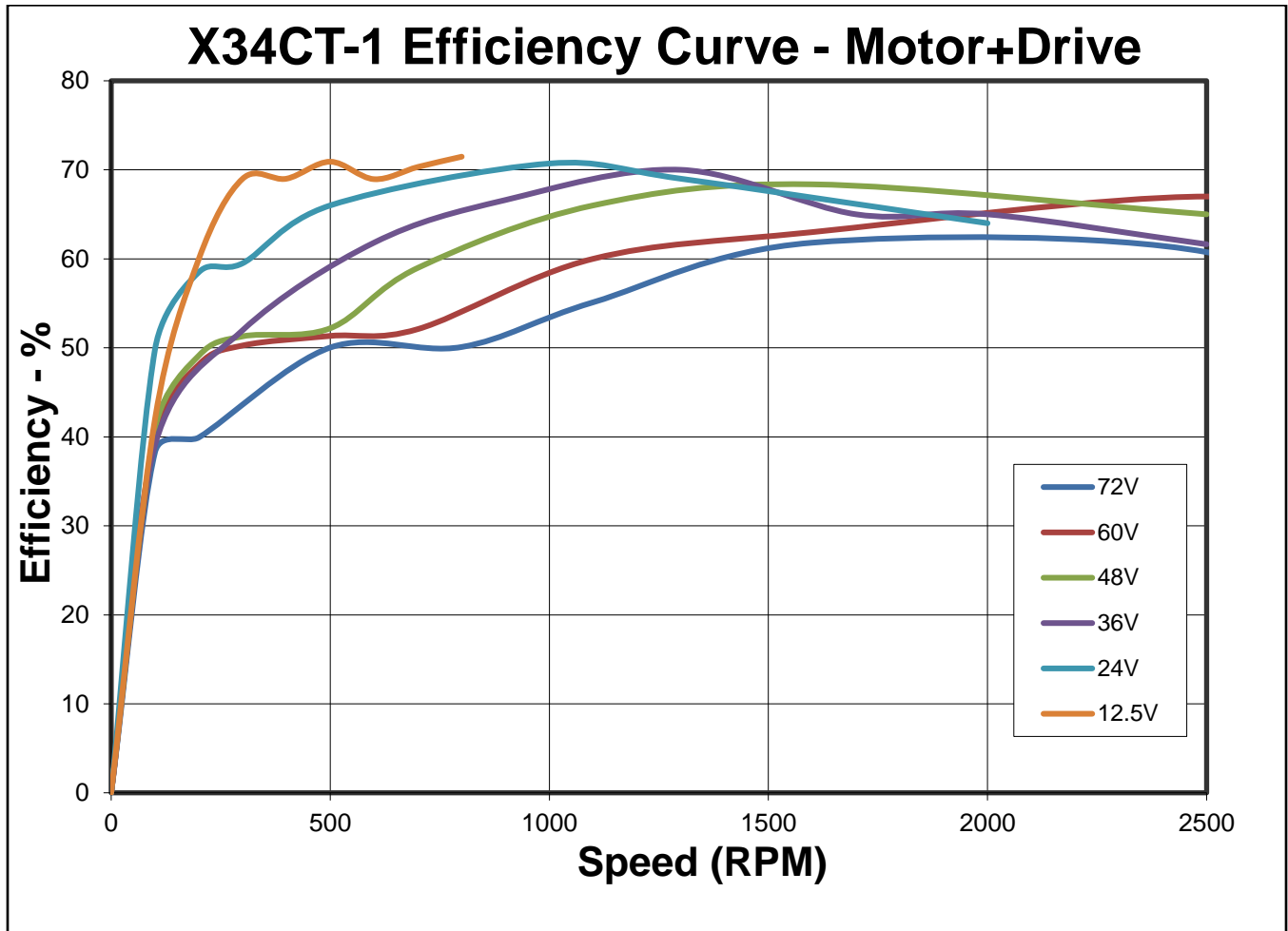


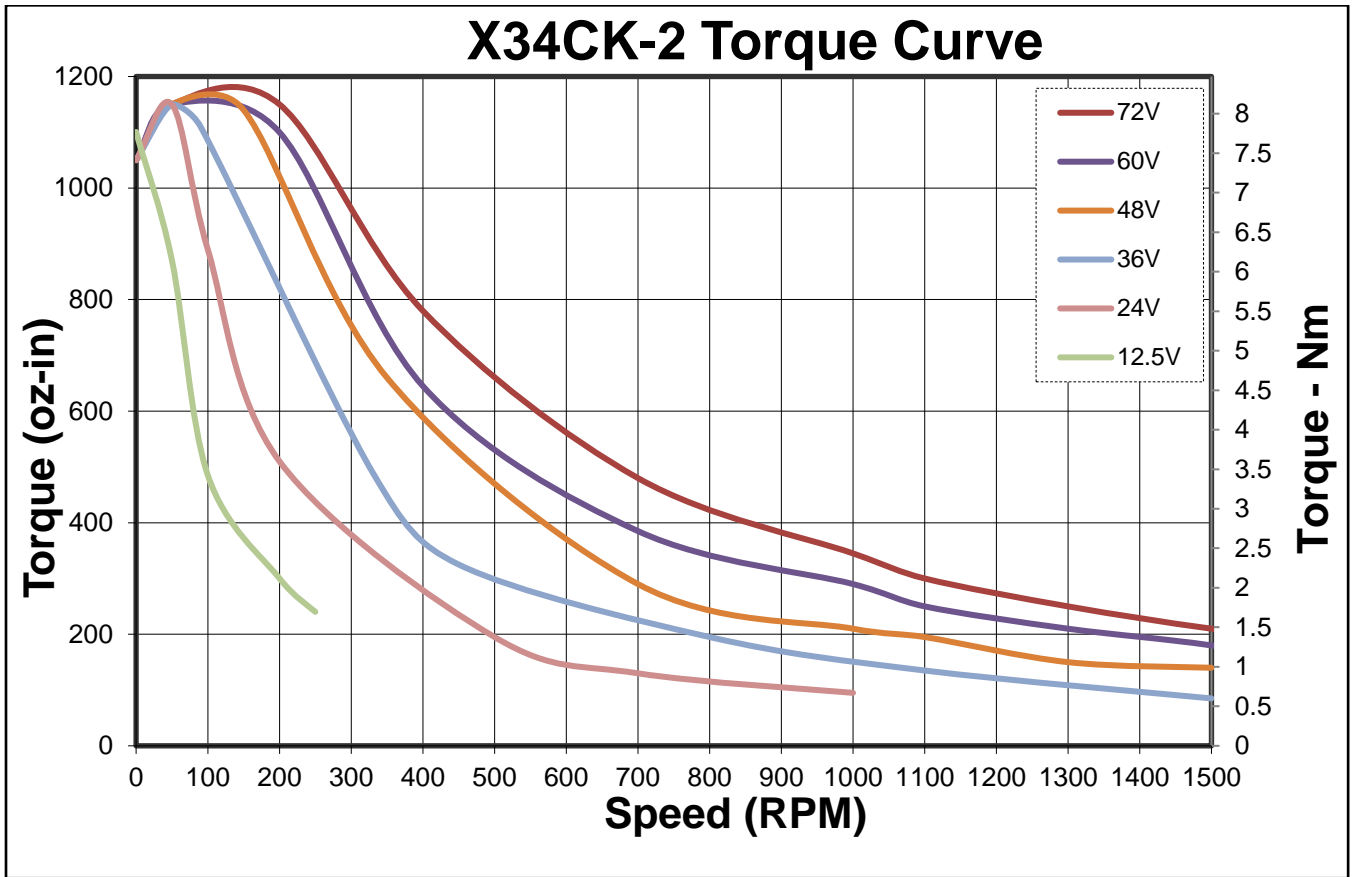


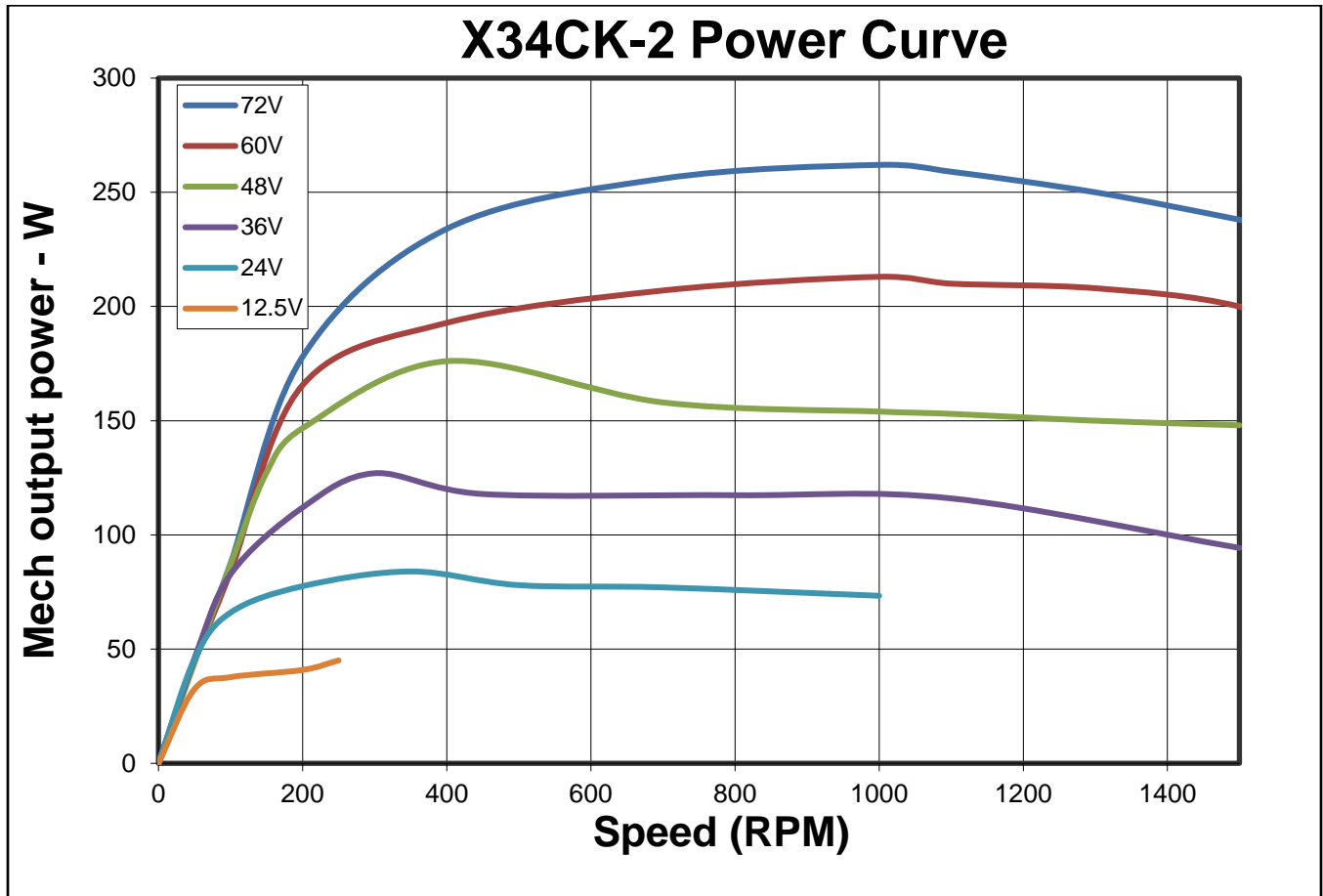


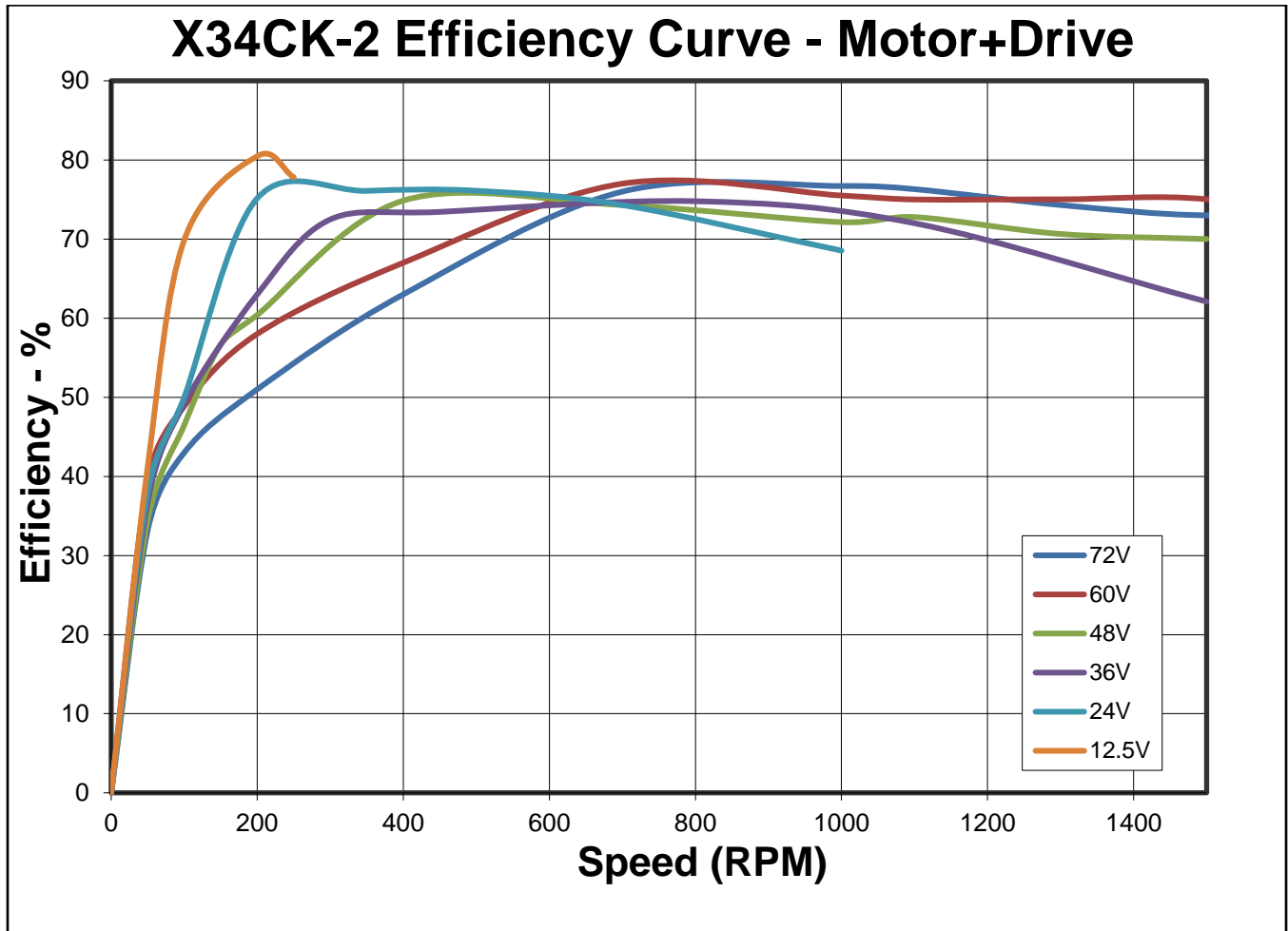


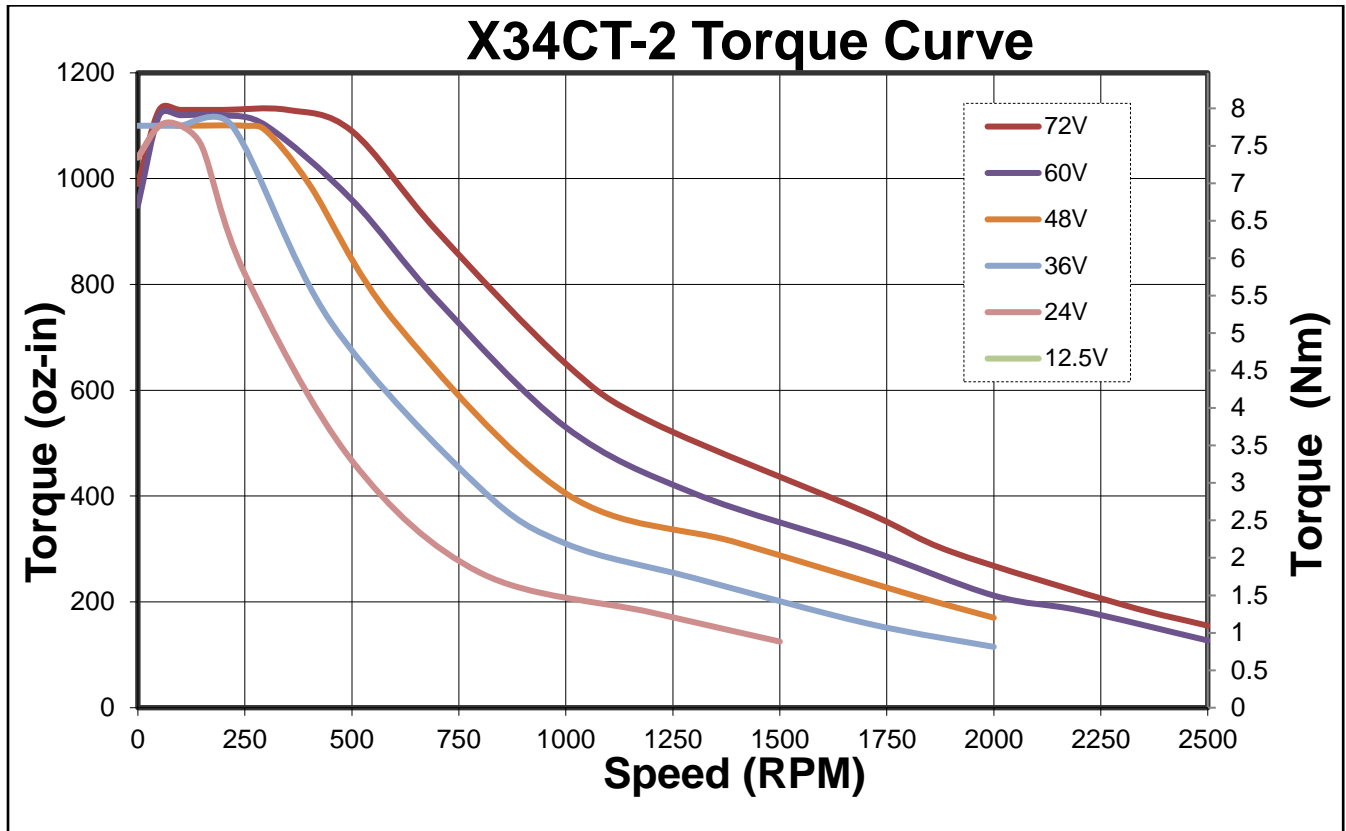


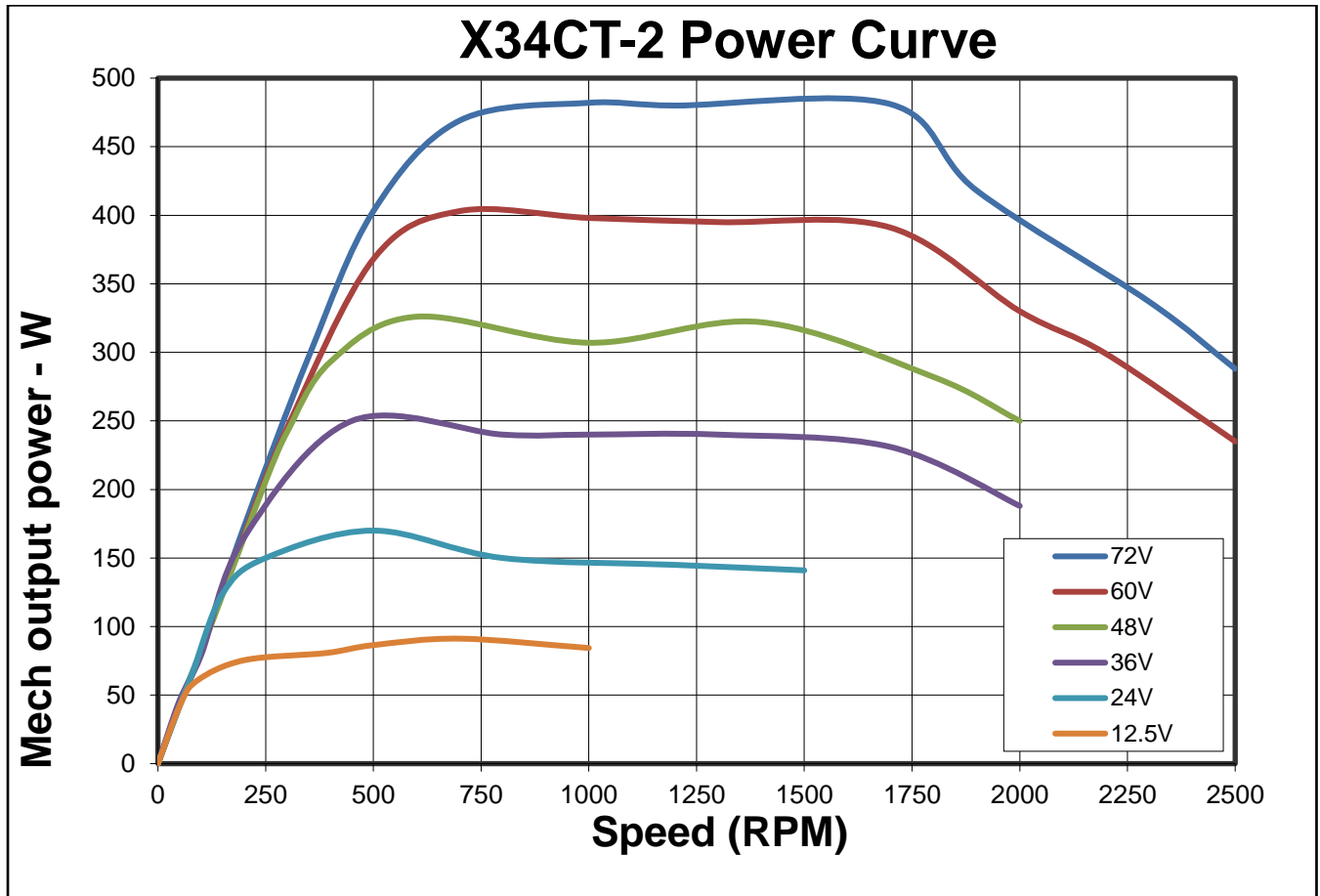


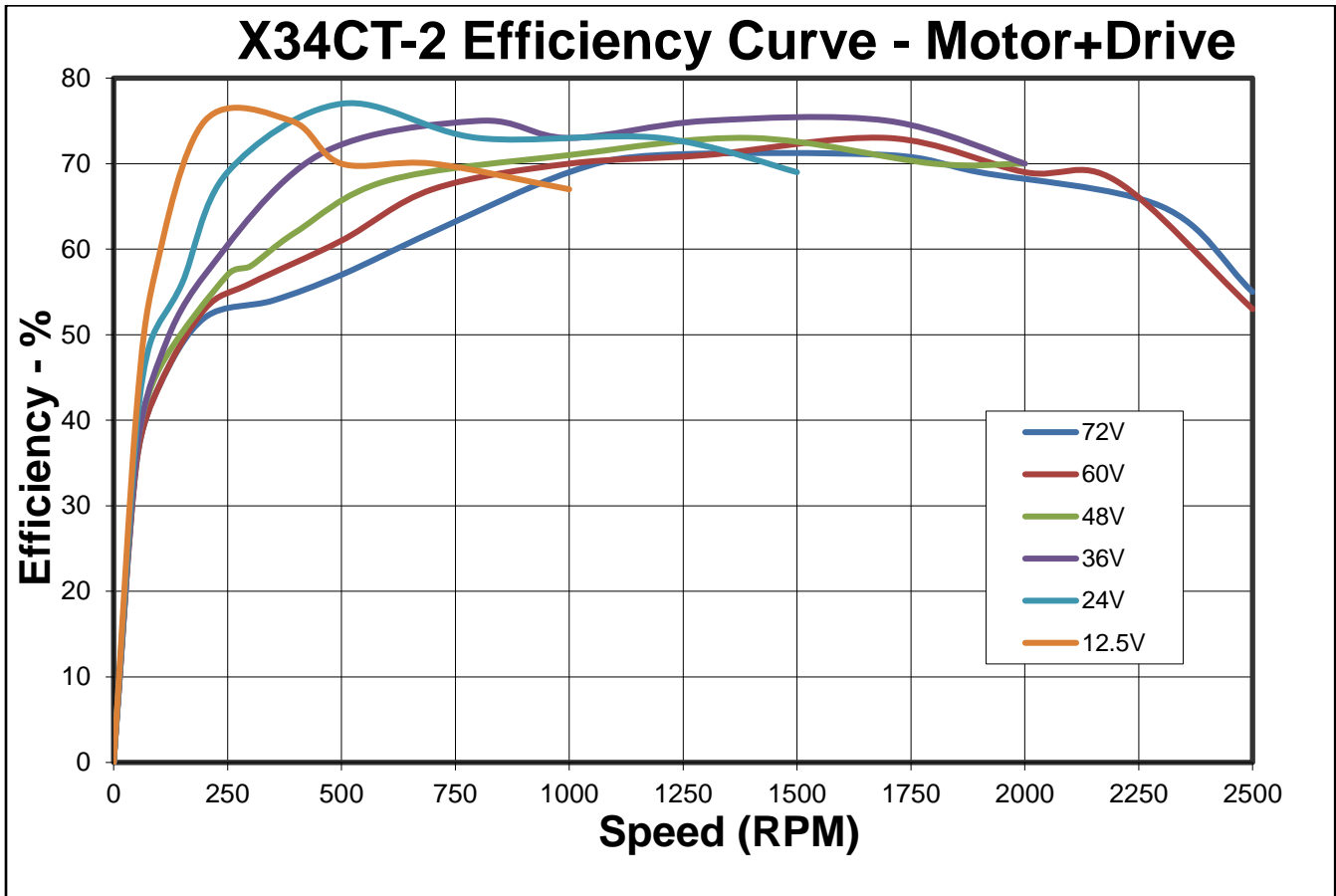


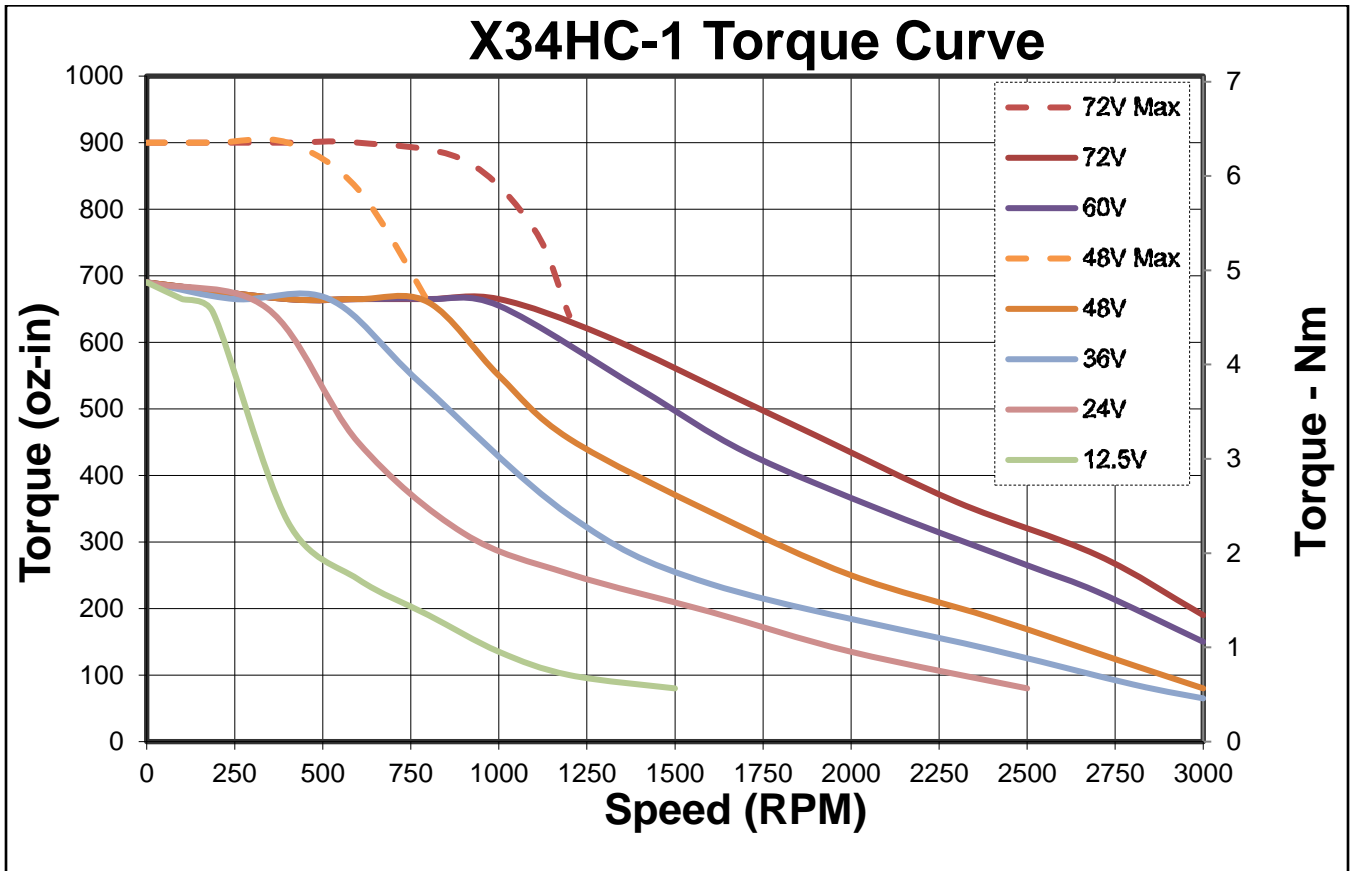


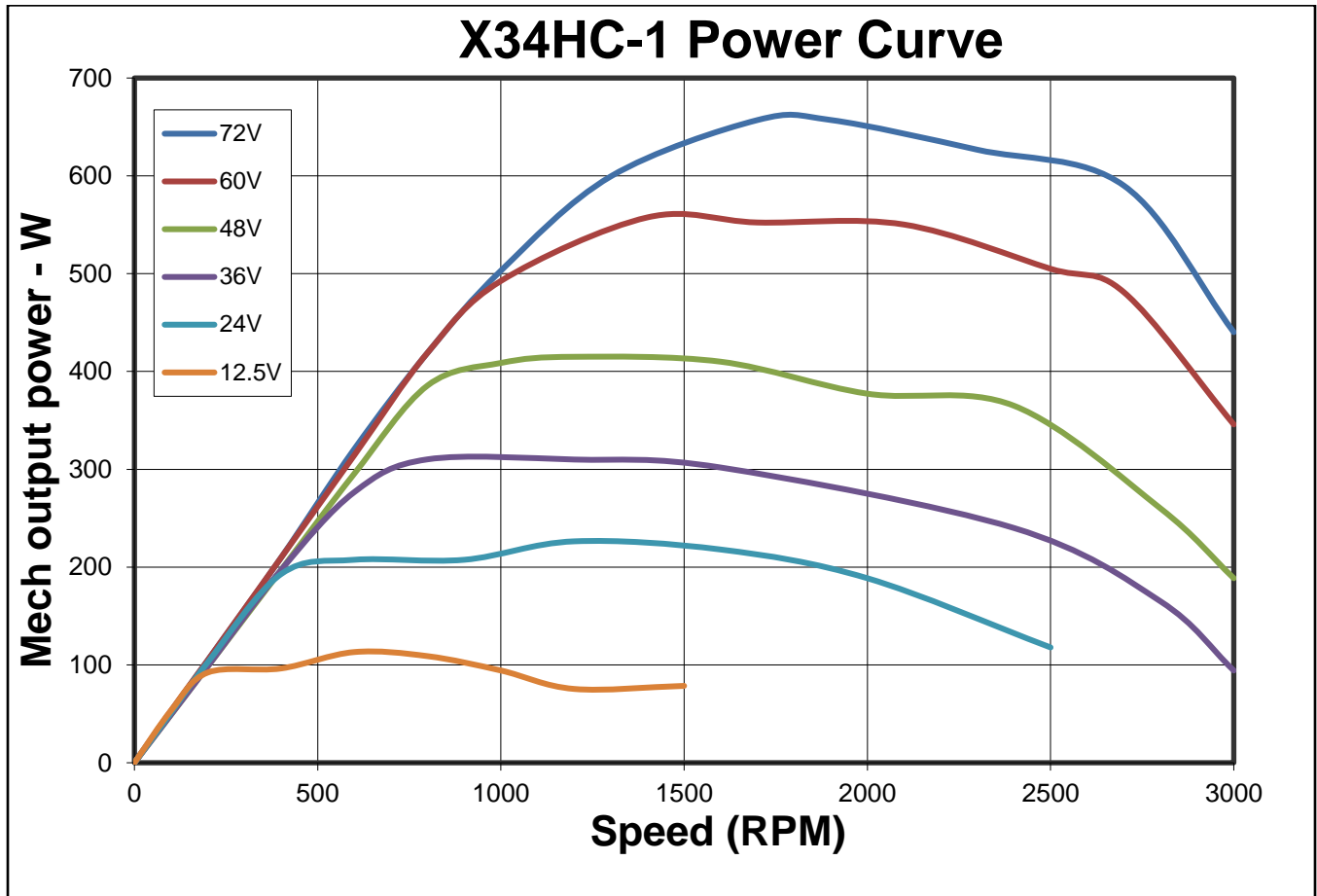


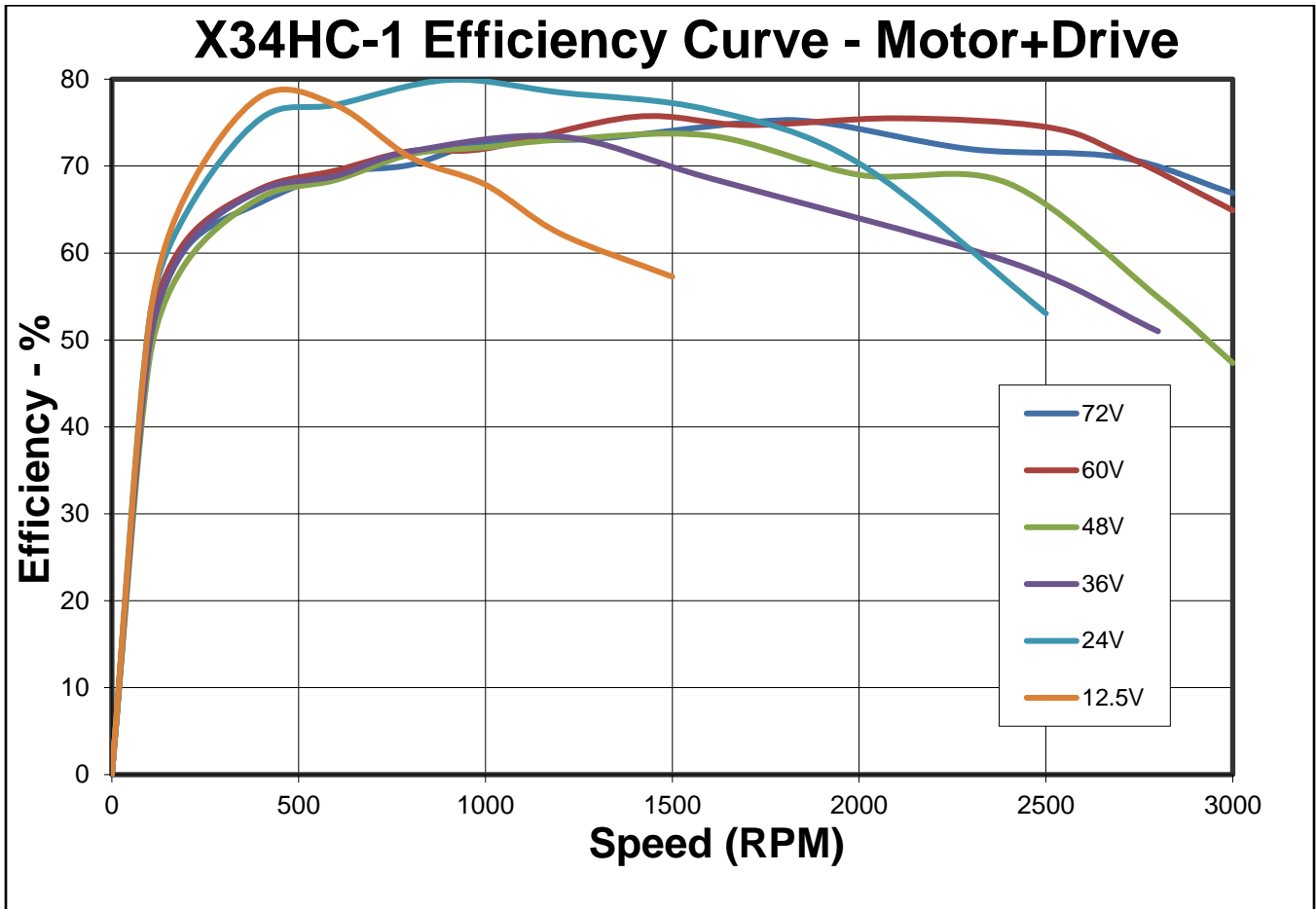


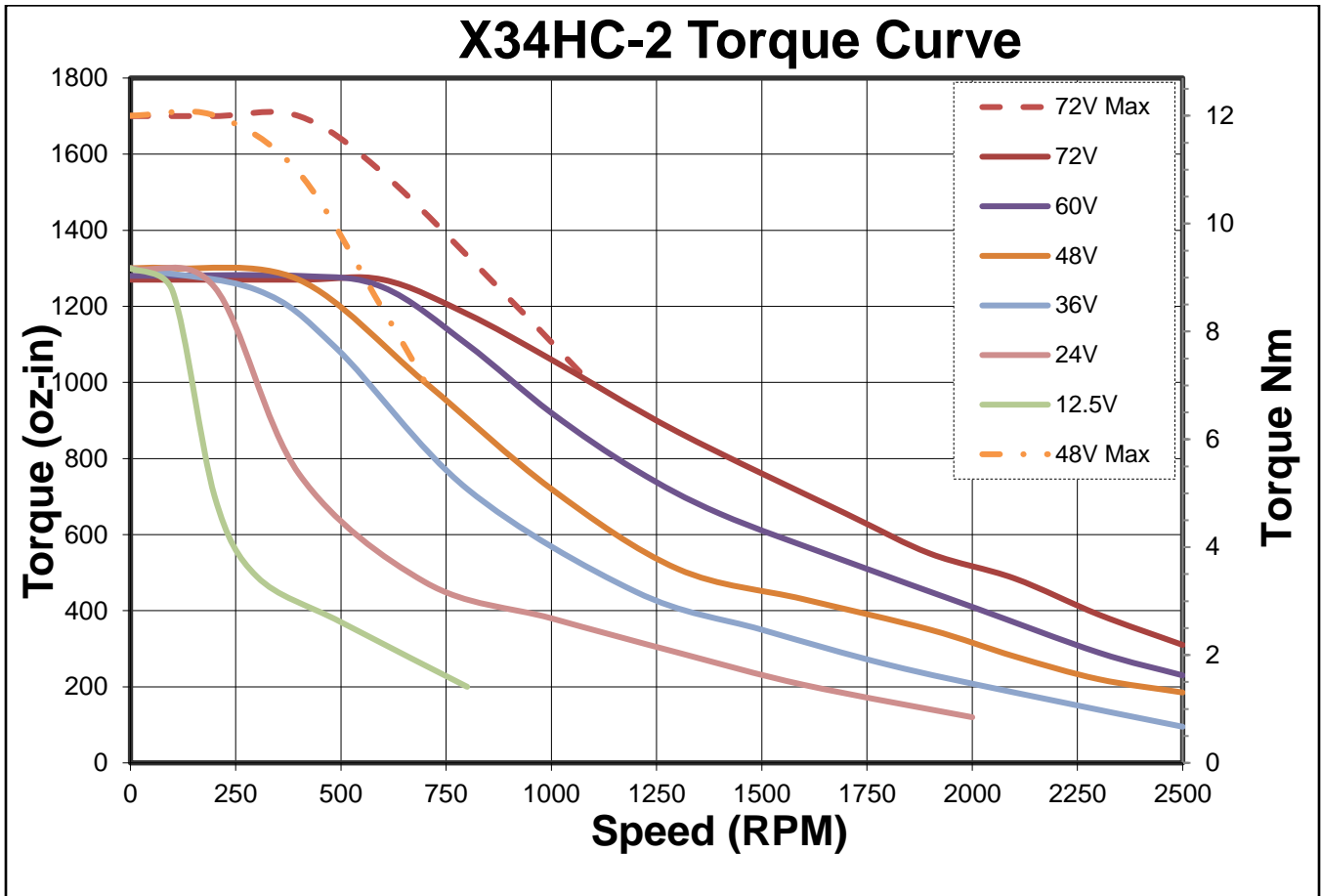


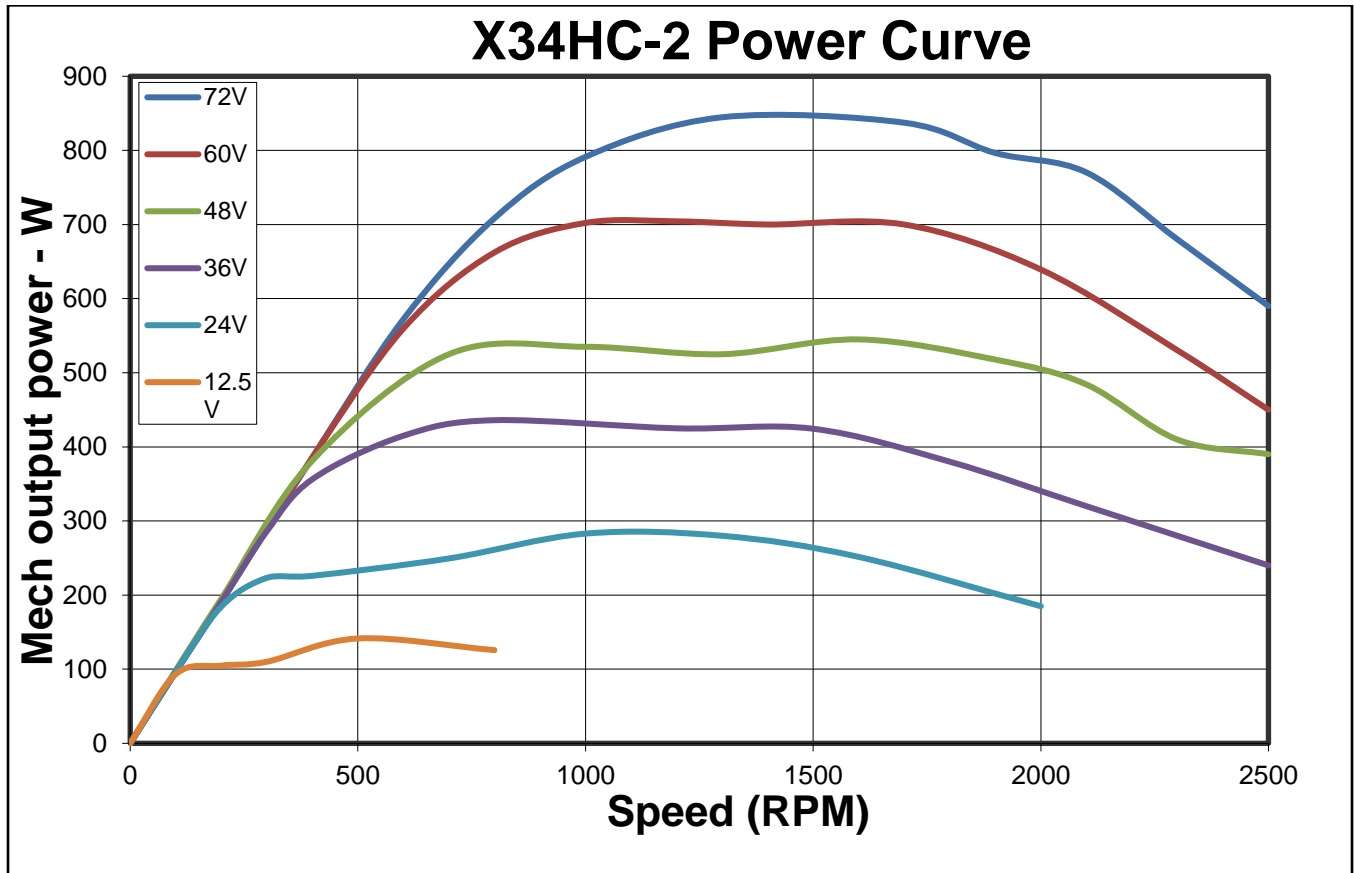


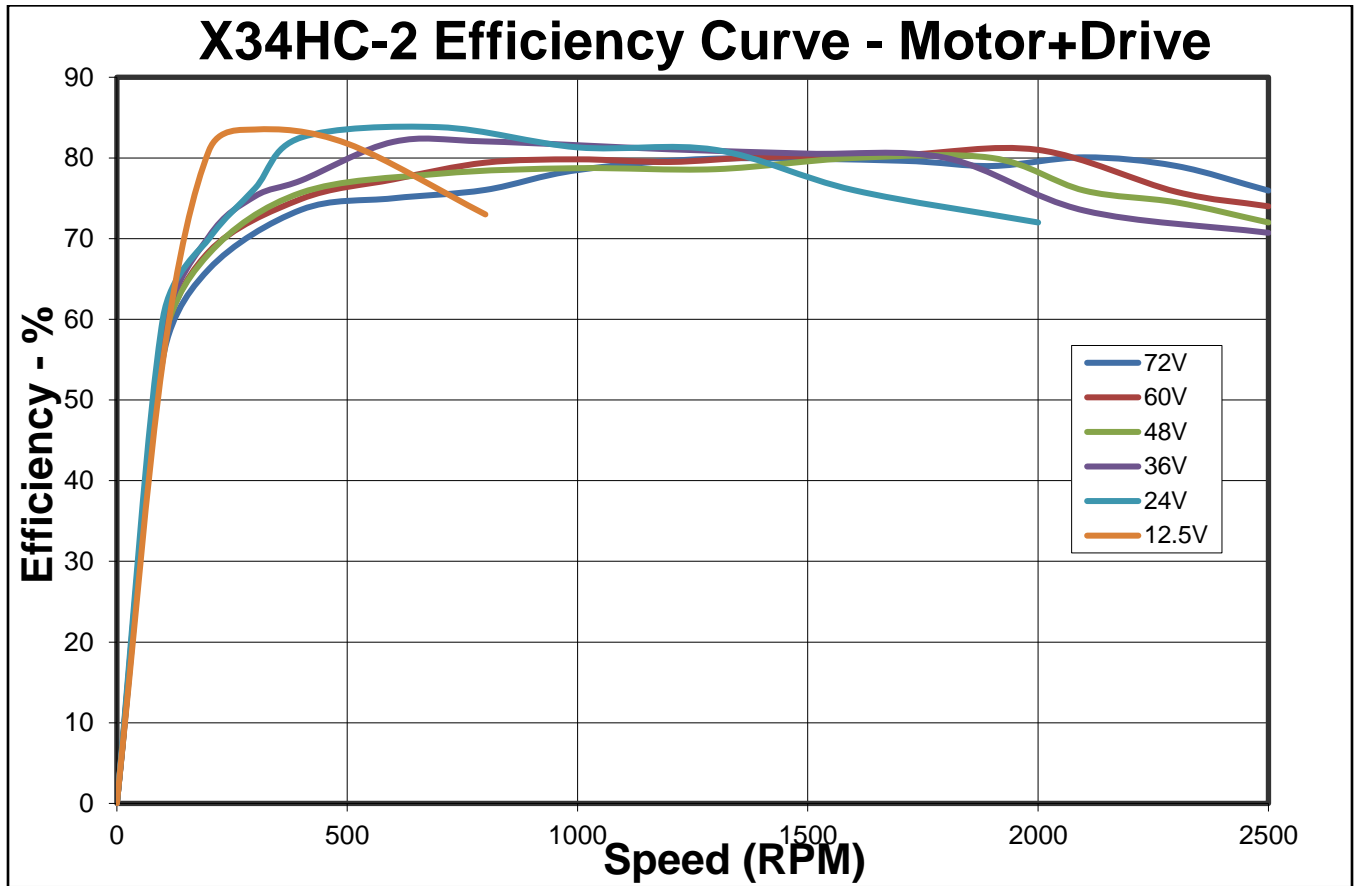


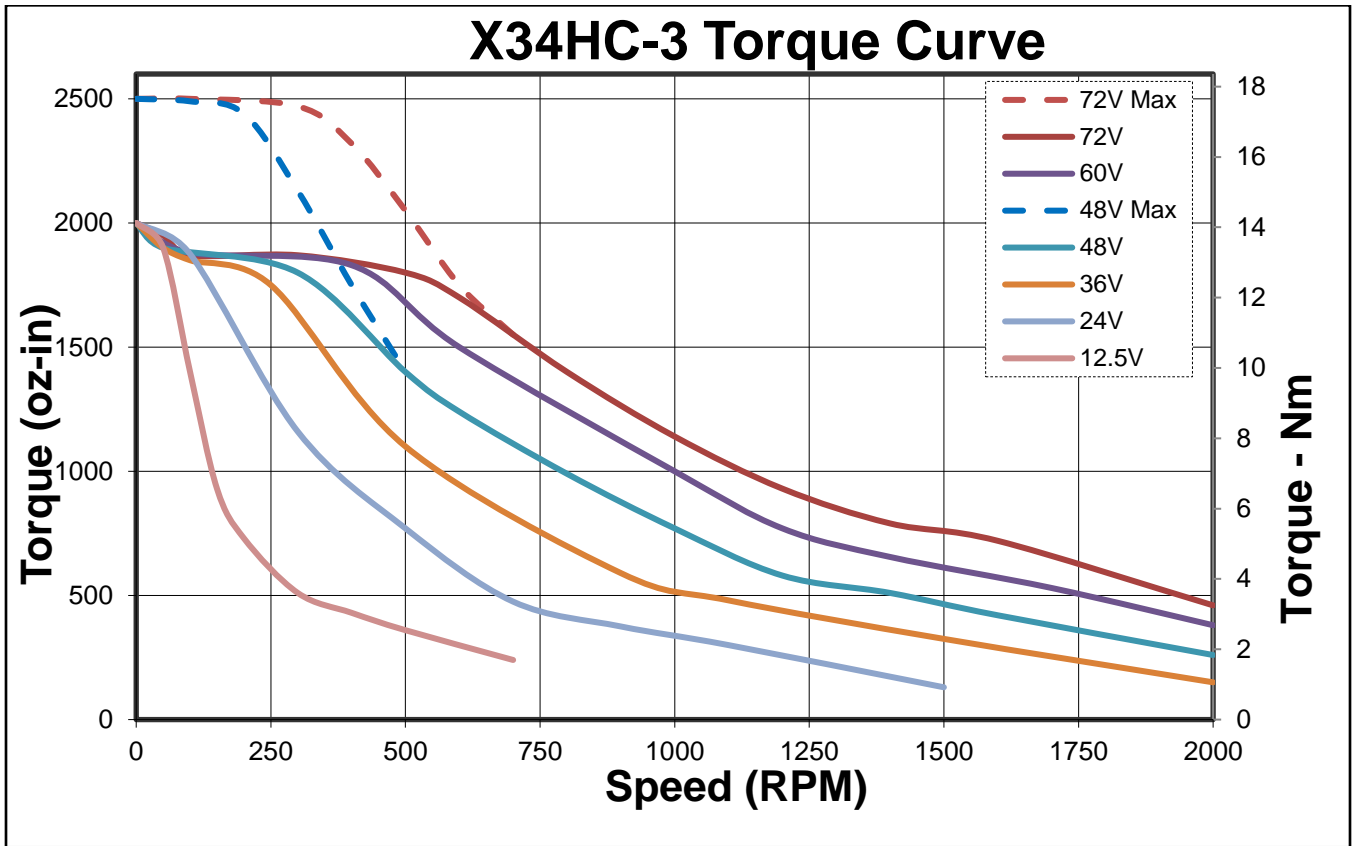


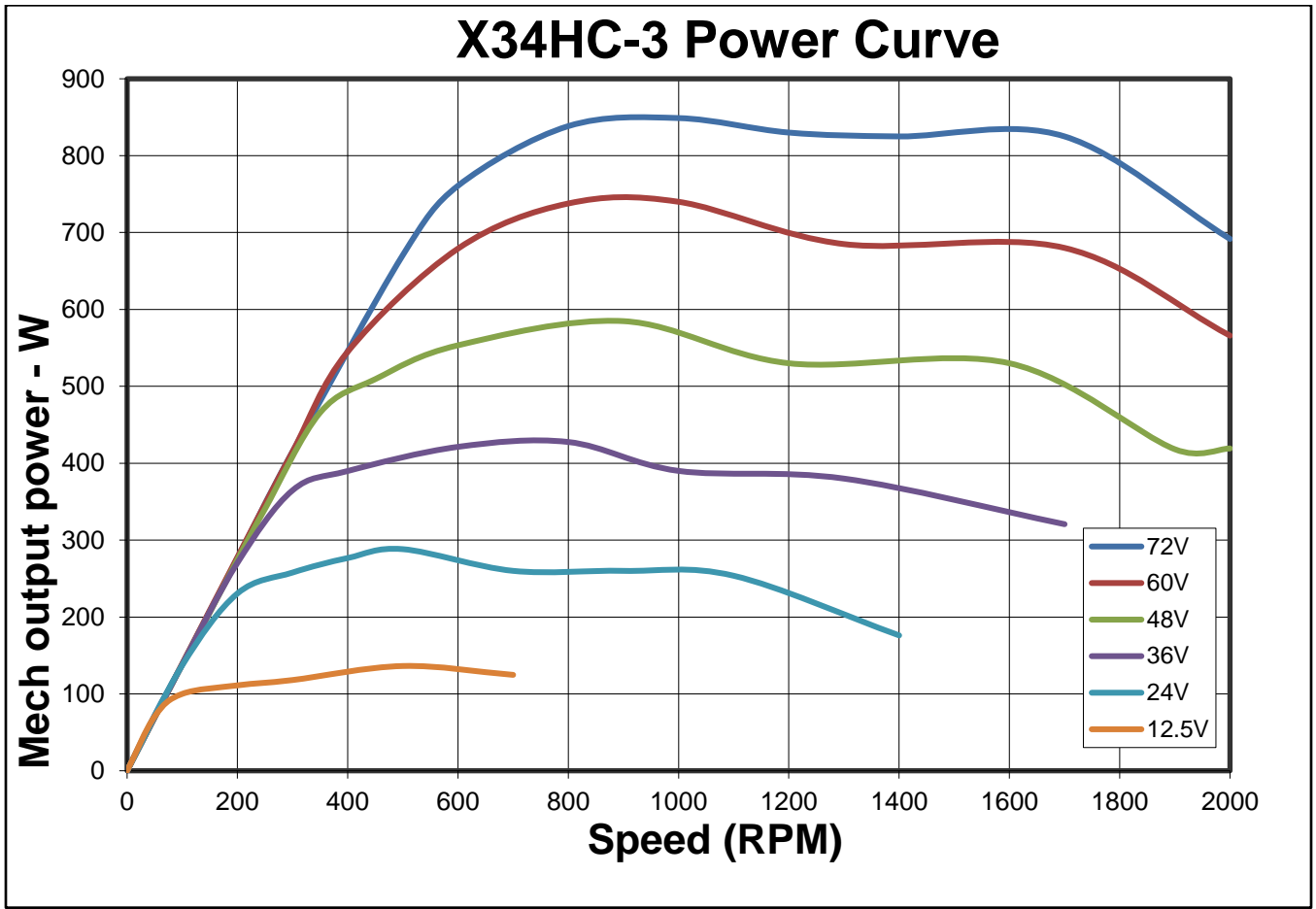


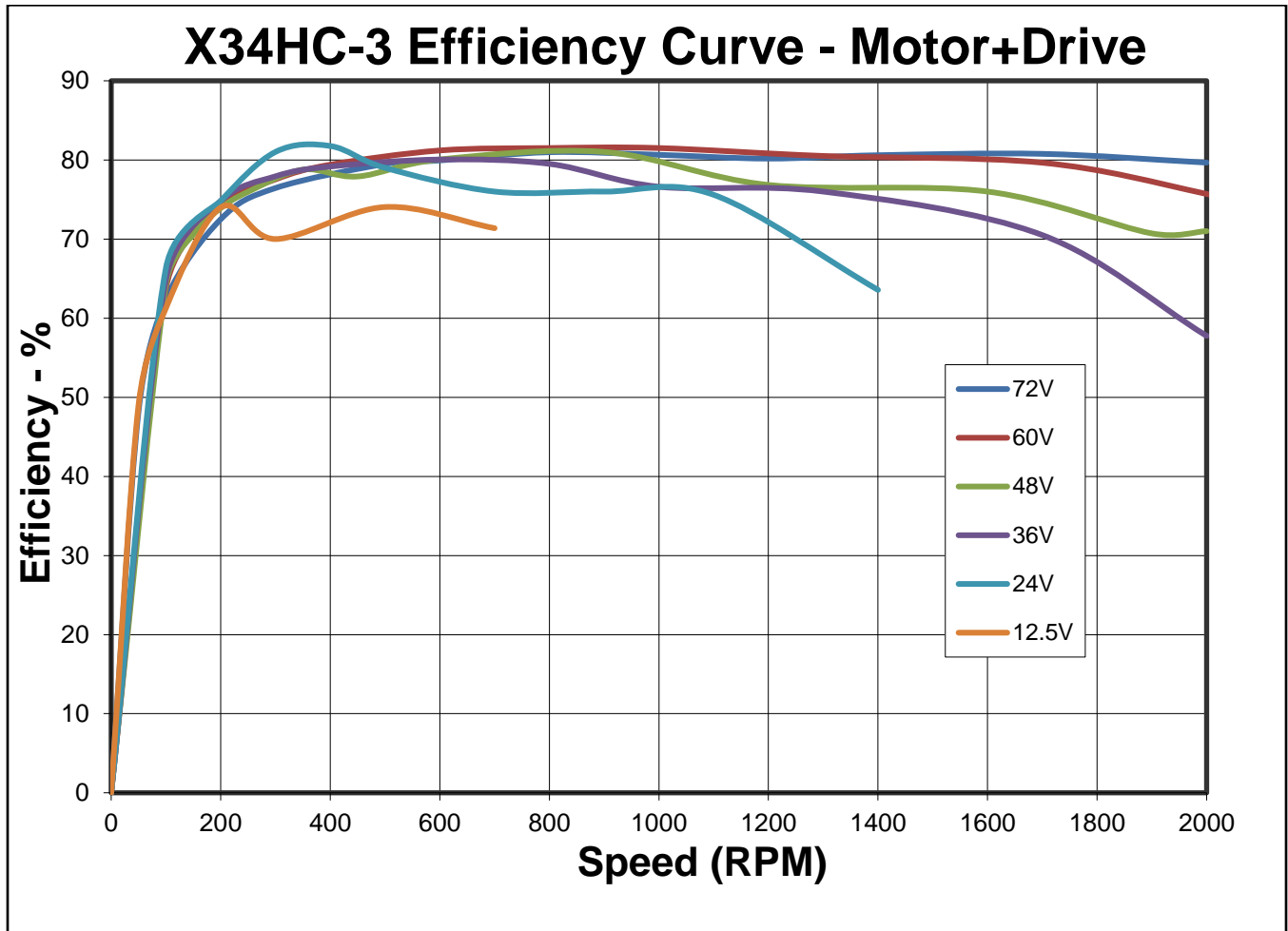


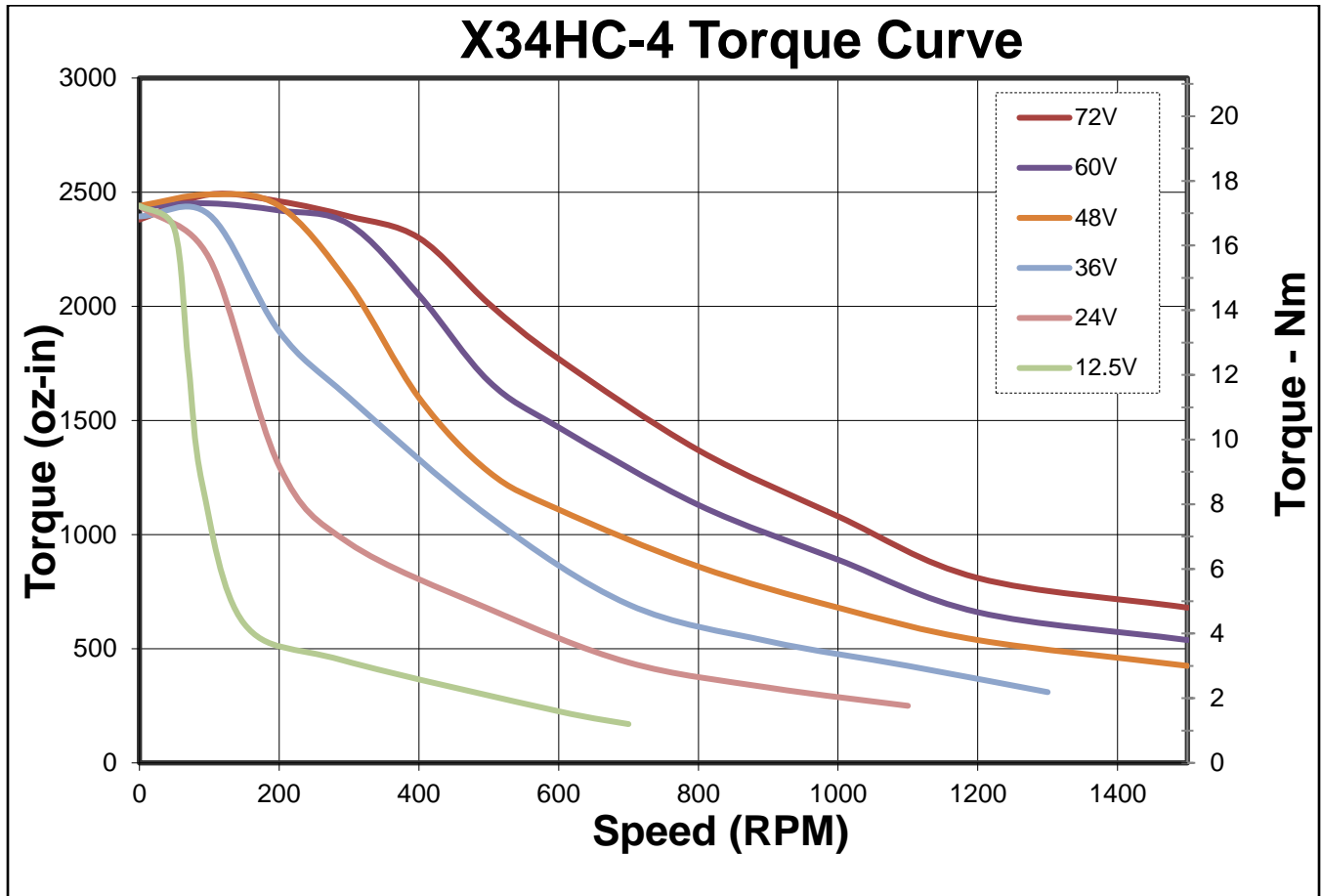


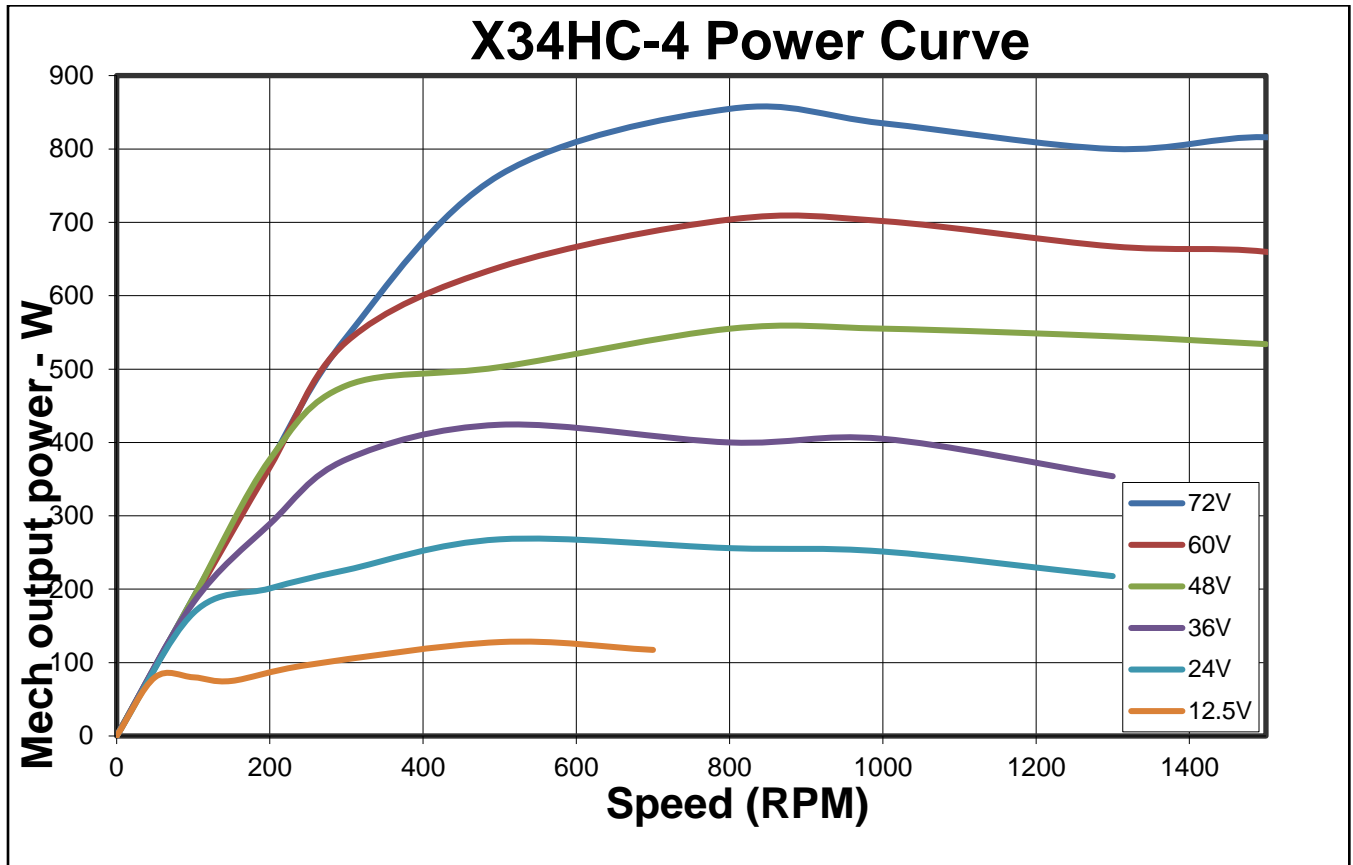


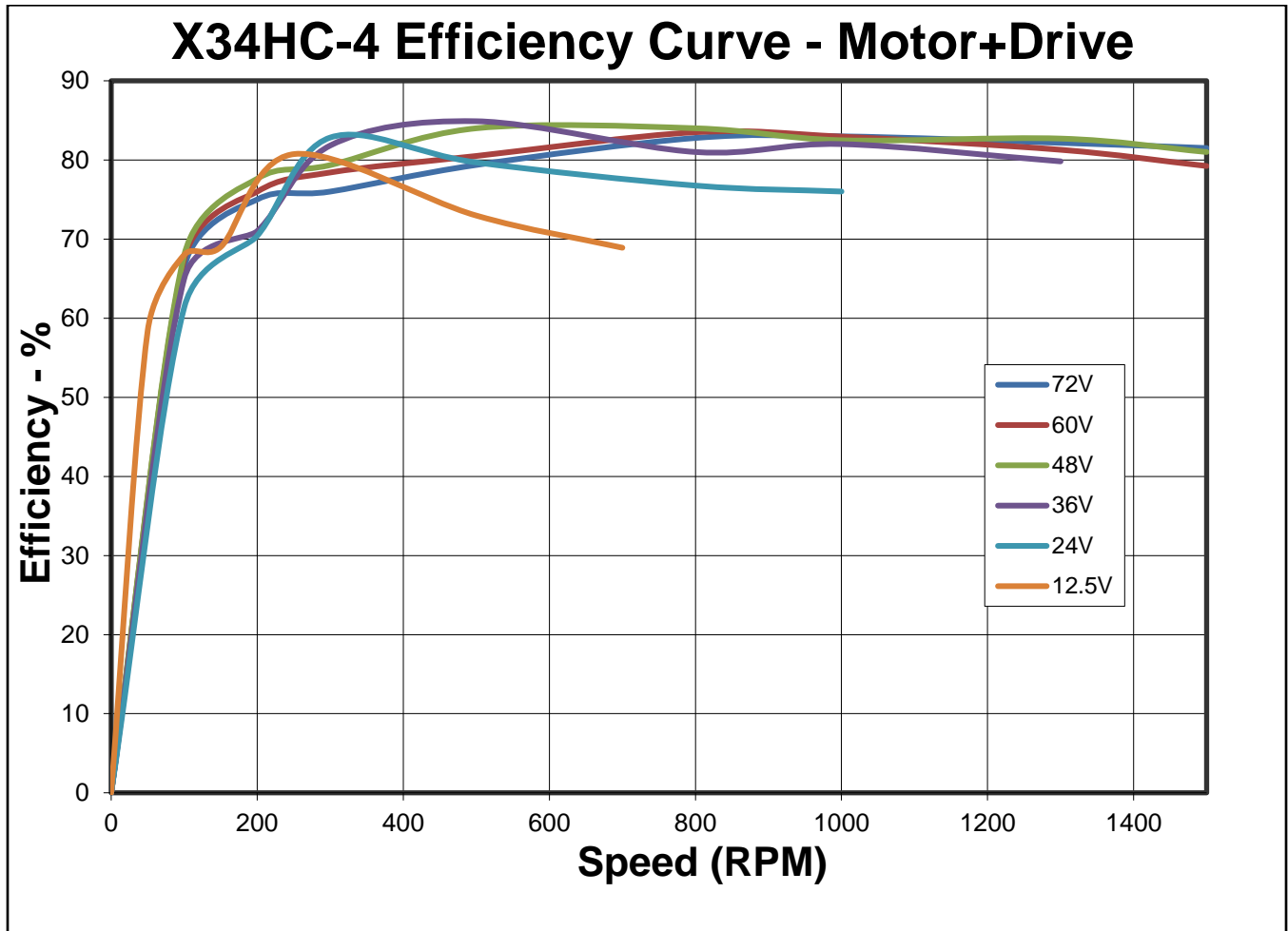




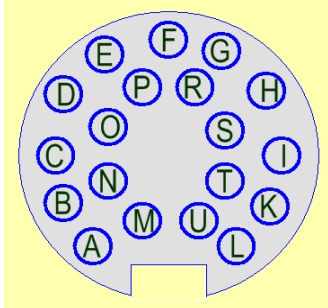








SilverMax X-series Interface (SMI)



Pin	Signal
A	V+ Processor
B	V+ Processor
C	IO7
D	IO5
E	IO4
F	IO2
G	IO1
H	485A
I	CAN-L
K	PGND
L	PGND
M	Processor Backup Power
N	Drive Enable
O	IO6
P	IO3
R	485B
S	Logic Ground
T	CAN-H
U	+5v 0.1A max

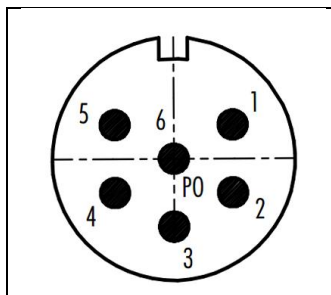
Input Power

Processor Power

V+ Processor:+12.5 VDC to +48 VDC, regulated. Processor Power should have no larger than an 8A fuse to limit power.

Driver Power

V+ Driver: +12.5 VDC to +72 VDC. Device must be initialized for the actual operating voltage. Driver Power, Power Ground, Chassis Ground, Clamp+ and Clamp- are provided on a separate 6 pin M23 connector: The Driver power should be fused with not more than a 25A slow blow fuse unless power supply current is limited to same.



Pin	Signal	Wire color for QCI-XC-LP-10
1	V+ Clamp	Blue or Yellow
2	V+ Driver	Red
3	Chassis Gnd	Drain1
4	V- Clamp	Orange
5	V- Driver	Black
6	Chassis Gnd	Drain2

Built-in Clamps

Two stages of Clamp circuits are built into the system. The primary clamp allows the clamp resistor to be mounted external to the system for easy heat elimination. This provides for very large inertias and for systems that are back driven. The secondary clamp provides up to 50W average clamping, and comes on at a slightly higher voltage than the primary clamp, actuating only if the primary clamp is not sufficient or is not connected (or opens). The secondary clamp

includes over temperature monitoring to shut down the motor if the internal resistors are dissipating excessive energy. Connecting the Clamp+ and the +VP signals together will bypass the internal clamp, to allow regenerated power to be used to recharge batteries, for example. Care must be taken to prevent overvoltage.

Processor Backup Power

+12 to +48v. Separate processor power input. This input is diode isolated from the processor voltage input to allow a separate battery backup to be provided to the processor to keep encoder information alive when the main power is shut down. This input must be fused no more than 0.5Amp if used.

Driver Power Input Current

20 Amps DC maximum for any input voltage, +12.5 VDC to +72 VDC per controller. See particular motor size for details for that motor. This input must be fused no more than 25A slow blow. The Driver Power is isolated from the processor power to minimize the influence of the high currents for the driver upon the input voltages.

The processor power and the driver power isolation

The processor power and driver power are galvanically isolated. The processor ground, the driver ground, and the chassis ground should be connected at the power supply, with the negative side of the power supply strapped to chassis ground at that point, for best noise characteristics.

Inputs & Outputs**Digital Inputs**

0 to +3.3 VDC. LVTTTL level compatible. All inputs have a light pull-up (~100k ohm to 3.3v). All I/O have an optional programmable pull-up/pull-down of 2.2 k ohm; the source to these resistors may also be floated if no pull-up or pull-down is needed. The seven IO are protected to +/- 40v.

5v output

Rated to 100mA. Do not back drive. Do not short out.

Digital Output Voltage

0 / +3.3 VDC.

Digital Output Current

Sinking or Sourcing: 2mA

Analog Inputs

All 7 I/O may be used as Analog Inputs: 0 to +3.3 VDC input signal range.

IO7 has a secondary circuit to handle 0 to +10v input signal range; the input protection will isolate the normal 3.3 v input channel allowing the 0 to 10v operation.

Resolution: 12 bits (before filtering)

Analog signals are read every servo cycle (120 μ sec.) and the converted analog data is processed through a (default) 5 ms filter to reduce noise & transients.

Drive Enable Input

This hardware drive enable input must be connected to +10 VDC to +48 VDC for the drive electronics to be enabled. The Drive enable voltage is measured with respect to the processor power ground, not the driver power ground.

Communications

Serial Interface

RS-485 multi-drop, Reduced unit load accommodates up to 255 nodes.
Protected up to +/- 70v.

Note: RS-485 requires a nominal 120-ohm $\frac{1}{2}$ W termination resistor at each end of the network for longer runs. This termination is not provided onboard and must be provided by the user.

Protocols

8-bit ASCII, 9-bit binary, Modbus®, and DMX512

Hardware Configuration Settings

Available Baud Rates: 2400, 4800, 9600, 19.2k, 28.8k, 57.6k, 115.2k or 230.4k
(250k only for DMX512)

Data Bits: 8 (9 bits for binary)

Stop Bits: 1.5 or 2

Parity Bit: None (Modbus supports None, Even, Odd)

CAN interface

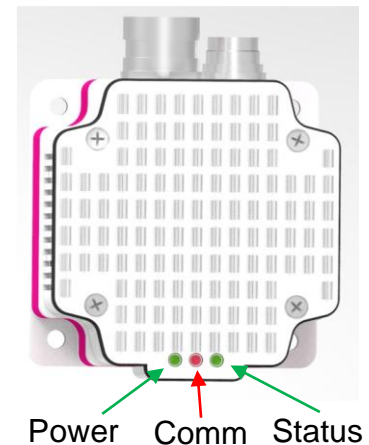
The CAN bus connection is not isolated, but does include transceivers which have an extended +/- 70v fault protection range. The CANopen® communications protocol allows the unit to function as a master, slave, or peer on a CANopen network. See the CANopen User Manual for details on the CANopen protocol. This protocol operates simultaneously and independently from the standard serial protocols.

Note that a 120 ohm $\frac{1}{2}$ W termination resistor is required at each end of the CAN network (only two per system). This termination is not provided onboard the controller and must be provided by the user. For the CAN bus, this termination is **not** optional.

CANopen® and CiA® are registered community trademarks of CAN in Automation e.V.

STATUS LIGHTS

Three status lights are provided on the back of the SilverMax. The Comm LED (normally Red) indicates the unit is ready (no program running) by a dim level, it is off between communications if a program is running. It blinks brightly during each incoming communications frame. The Status light (normally Green) varies in intensity with the motor torque (negative torque dimmer, positive torque brighter); if Done Bit is configured the LED lights to indicate Done (See Set Done Bit command), is also used to blink error codes if a fault is detected (and the Done bit is not configured). The Driver power present LED is normally Green; It becomes amber if driver is disabled (either by hardware or by software).



Environmental Specifications

Operational Temperature

-20 C to +70 C. Continuous torque curves taken at 20C; derating may be needed at higher temperatures. 100% torque requires motor affixed to thermally conductive structure, and may need additional air flow. Must be verified in final application.

Storage Temperature

- 40 C to +85 C

Humidity

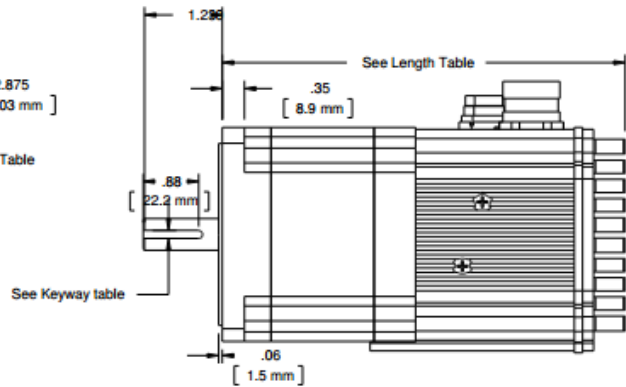
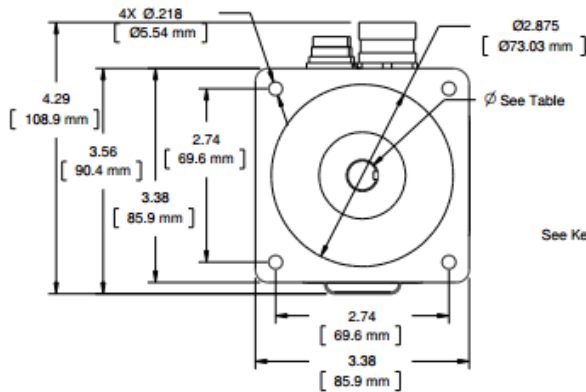
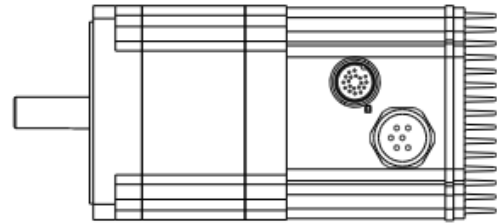
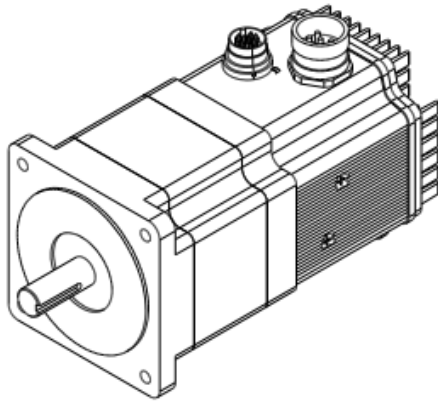
Continuous specification is 95% RH non-condensing.

Shock

Limitation is approximately 50g/11ms.

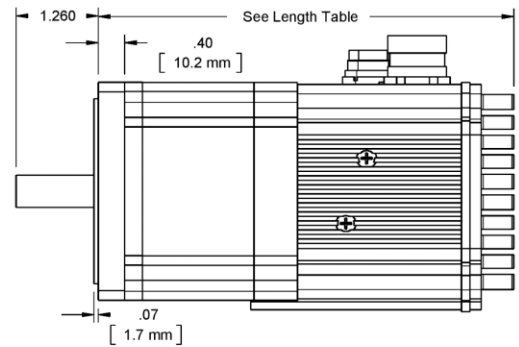
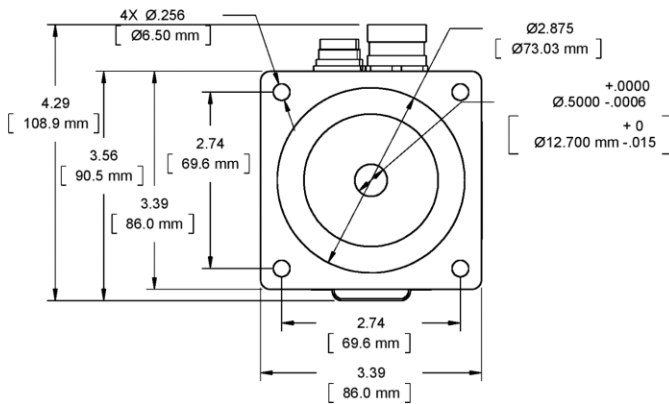
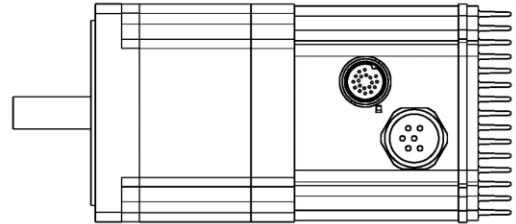
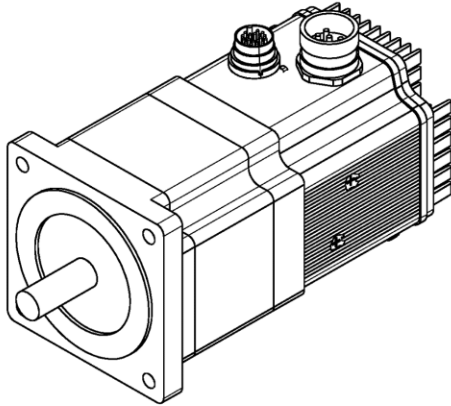
Specifications subject to change without notice. See www.QuickSilverControls.com for current information.

Mechanical Dimensions – 34HC-x



Model	Shaft Diameter		Keyway		Body Length	
X34HC-1	0.500 in	12,70 mm	0.125 in	3.175 mm	6.4 in	162 mm
X34HC-2	0.500 in	12.70 mm	0.125 in	3.175 mm	8.0 in	203 mm
X34HC-3	0.625 in	15.875 mm	0.1875 in	4.7625 mm	9.5 in	241 mm
X34HC-4	0.625 in	15.875 mm	0.1875 in	4.7625 mm	11.1 in	282 mm

Mechanical Dimensions – 34Cx-x



Model	Shaft Diameter		Keyway		Body Length	
X34CK-1	0.500 in	12.70 mm	NONE	NONE	6.4 in	162 mm
X34CK-2	0.500 in	12.70 mm	NONE	NONE	7.6 in	193 mm
X34CT-1	0.500 in	12.70 mm	NONE	NONE	6.4 in	162 mm
X34CT-2	0.500 in	12.70 mm	NONE	NONE	7.6 in	193 mm

Recommended Components

SilverMax X-series Start-Up Materials

For first time users, QCI recommends purchasing the following items to aid with use of the SilverMax X-series servo motor:

- 4' SilverMax X-series Interface Cable (QCI-XC-SMI-04)
- Breakout Board X-series (QCI-BO-X1)
- USB to RS485 converter (QCI-USB-RS485)
- Desired QCI SilverMax X-series servo motor
- 10' Power cable (QCI-XC-LP-10)

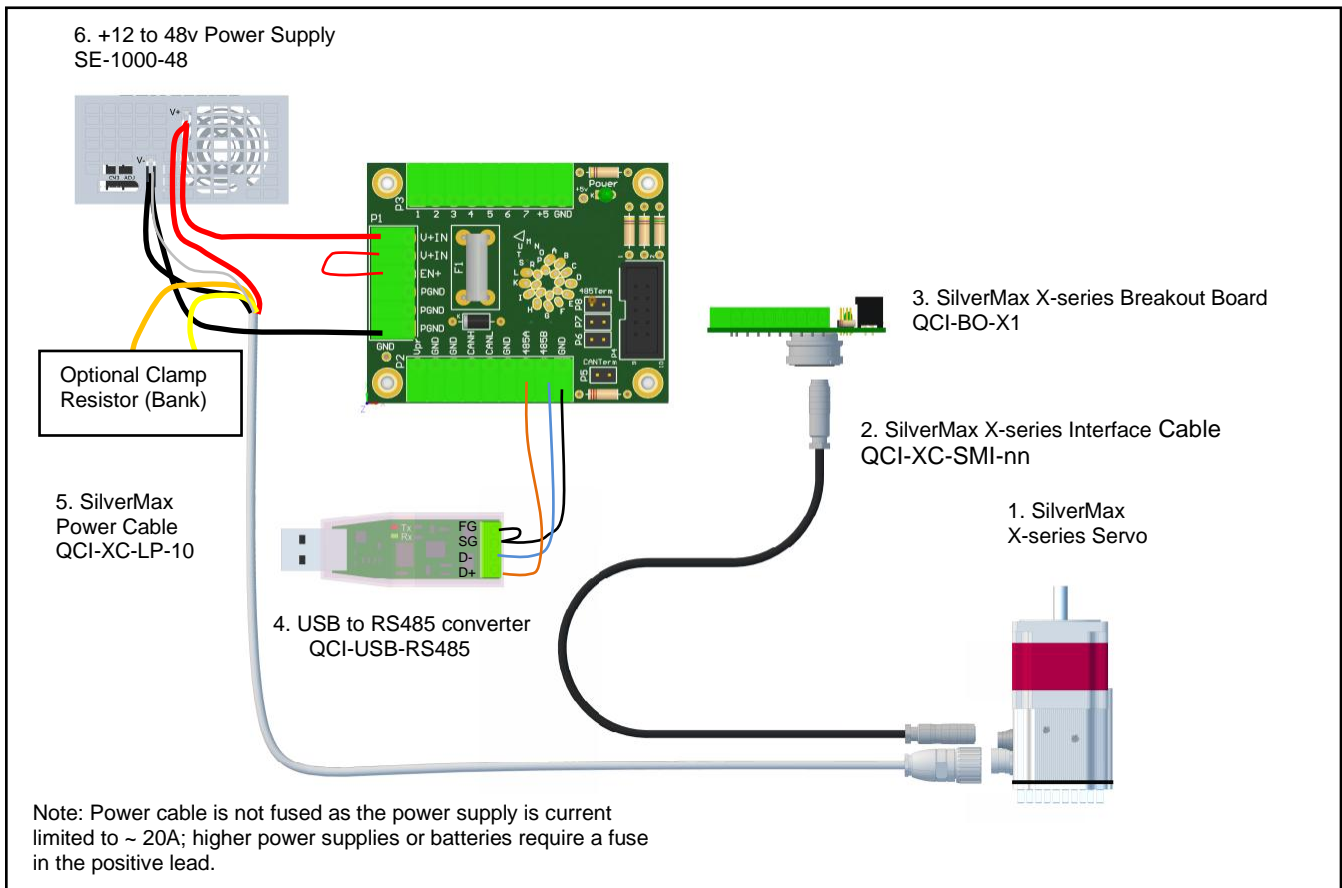
Optionally:

1000W, +48V Power Supply (SE-1000-48)

- Power Supply Cord w/ Flying Leads (QCI-C-ACP-FLY-6)
- 50W Clamp Resistors (QCI-R4-50) (may need multiple in series/parallel for needed dissipation – contact Support for more details)

Configuration Software: QuickControl™ is free and available from our website.

Typical System Setup



1. SilverMax X-series Servo Motor

Motor size based on application requirements.

2. SilverMax X-series Interface Cables

The QCI-XC-SMI-nn is used to connect the SilverMax X-series motor to the QCI-BO-X1 breakout board. Replace the last two digits “nn” with length of cable in feet (i.e. –10 for 10 feet). Standard lengths are 4 and 10 feet.

The QCI-XC-SMF-nn cable connects to the SMI connector on the SilverMax and provides a pig-tail to allow landing the various signals to your own terminating blocks – see [QCI-TD081](#) for more details.

3. SilverMax X-series Breakout (QCI-BO-X1)

QCI recommends purchasing a breakout to simplify wiring power, RS-485 communication, CAN, power backup, drive enable, and 7 LVTTTL I/O. The breakouts connect to the SilverMax Interface Cable and includes power fusing. The QCI-BO-X1 is designed to mount through the control housing, providing an IP67 seal for the control housing. See [QCI-TD079](#) for more information.

4. USB to RS485 Converter

USB-RS-485 converter provides a USB powered serial port with RS-485 signaling. See [QCI-TD073](#) USB-RS485 Converter Setup Guide for information on network termination and shielding recommendations.

5. SilverMax High Power Cable

Provides 4 power connections for V+, V-, and clamp resistor, and a chassis ground connection.

6. Power Supply

Power supply selection is motor dependent, but the following will work with all SilverMax X-series 34 frame motors.

SE-1000-48 (48V, 20A, 1000 Watt)

7. External Regenerative Clamp Resistor

Rapid deceleration of larger loads may require the use of the Primary Clamp circuit, requiring adding external power resistors between Clamp+ and Clamp-. Do not connect Clamp- to Clamp+ except through a clamp resistor of sufficient power rating. Resistance should be such that at operating voltage the resistor current will not exceed 20A when the clamp is active.

Part Numbers

silverMax X- Series NEMA 34	
Motor Size	Standard: 16000 CPR Encoder 12.5v to 72v for driver, 12-48v for processor Driver Enable CANopen RS-485 – multiple protocols 19 pin M16 Connector 6 pin M23 Power Connector IP65 except for front motor shaft. X34HC-x allow optional shaft seal (add suffix "S") X34Cx-x require shaft seal plate or attachment to sealed gearhead
QCI-X34CK-1	
QCI-X34CK-2	
QCI-X34CT-1	
QCI-X34CT-2	
QCI-X34HC-1	
QCI-X34HC-2	
QCI-X34HC-3	
QCI-X34HC-4	

Contact Information

QuickSilver Controls, Inc.
 990 N Amelia Ave
 San Dimas, CA 91773
 +1 (909) 599-6291 or (888) 660-3801
 +1 (909) 599-6289 FAX
www.QuickSilverControls.com

Change History:
 20181004 V+Clamp wire can be either Blue or Yellow, according to wire source for power cable.
 20190417 added X34CT-2 data