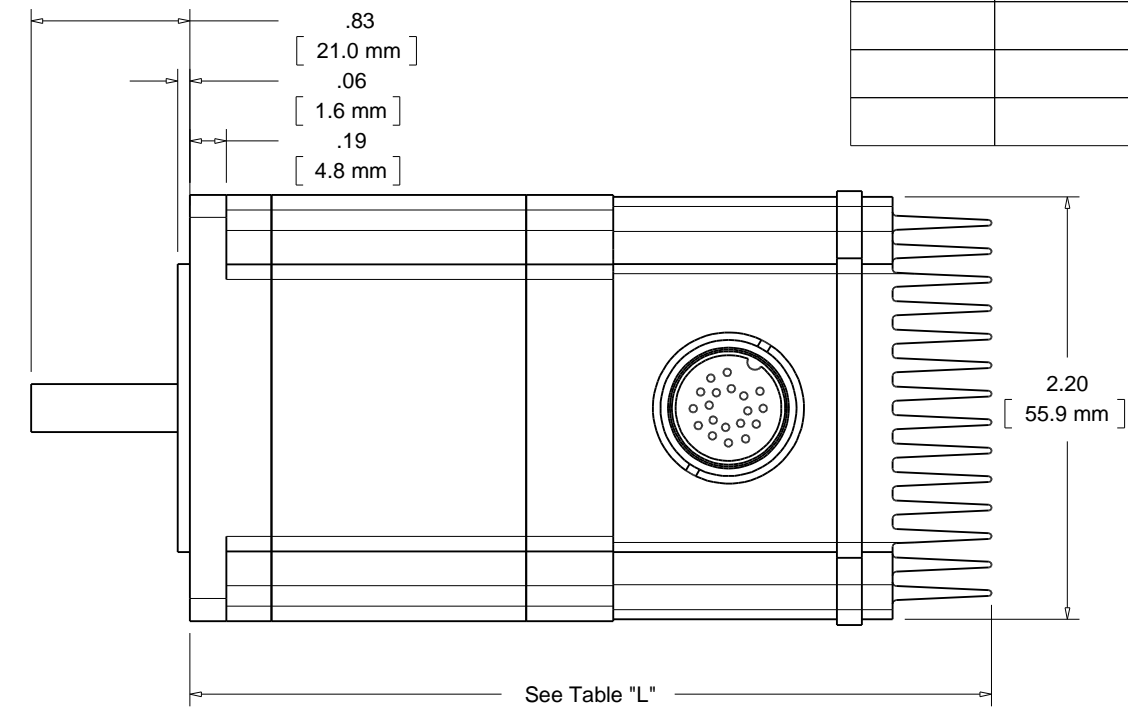
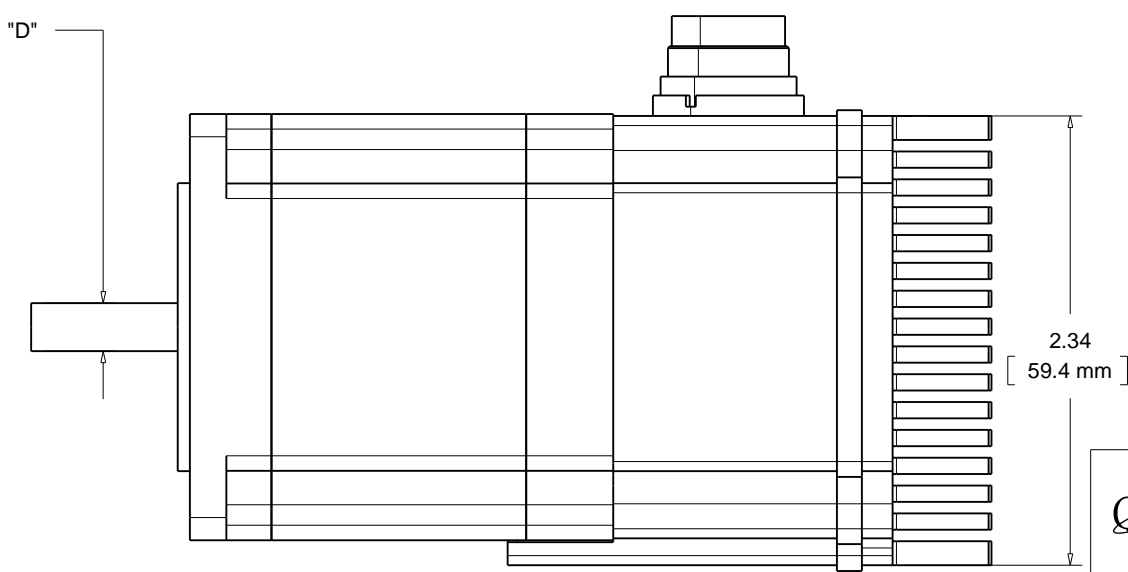
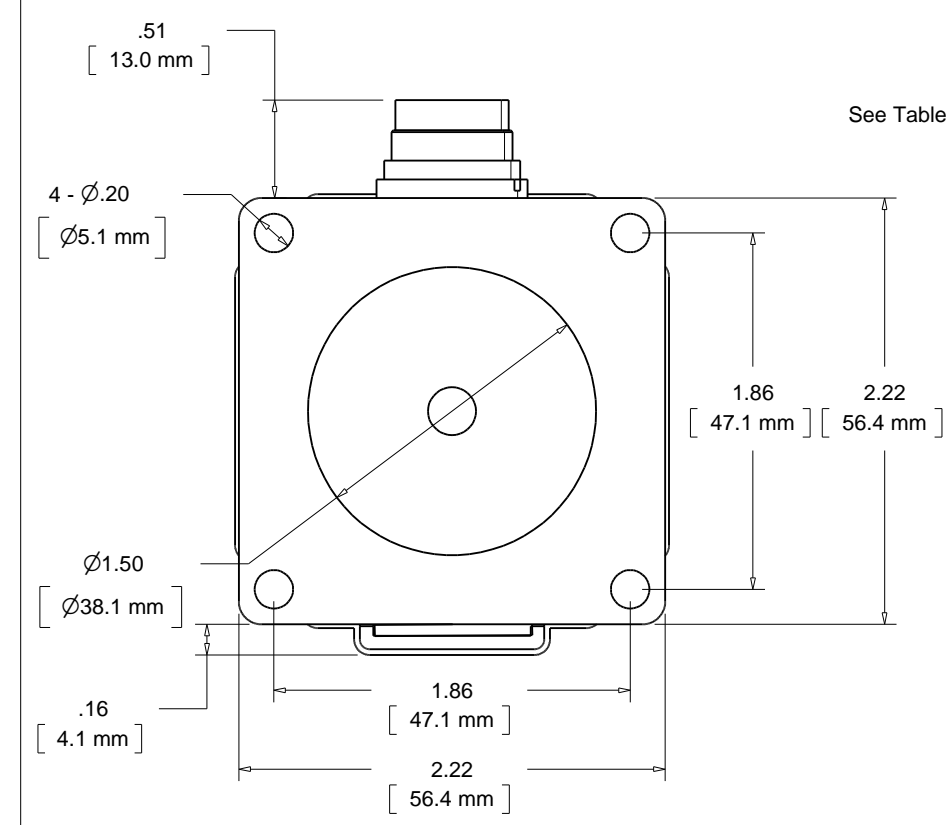


REVISIONS			
REVISION	DESCRIPTION	DATE	APPROVED
00	Initial Release	20160620	Noe Gutierrez



Model	Shaft Diameter "D"		Body Length "L"	
	in	mm	in	mm
QCI-X23C-1	.25 in	6.35 mm	3.58 in	91 mm
QCI-X23C-3	.25 in	6.35 mm	4.17 in	106 mm
QCI-X23C-6	.315 in	8.00 mm	5.2 in	132 mm
QCI-X23C-8	.315 in	8.00 mm	6.38 in	162 mm



QCI QuickSilver Controls, Inc.
 990 N. Amelia Ave
 San Dimas, CA 91773
 www.QuickSilverControls.com

SIZE	QCI-X23C-x_ALL	Sheet	1 of 1
B	NEMA 23 SilverMax X-series 2D CAD		